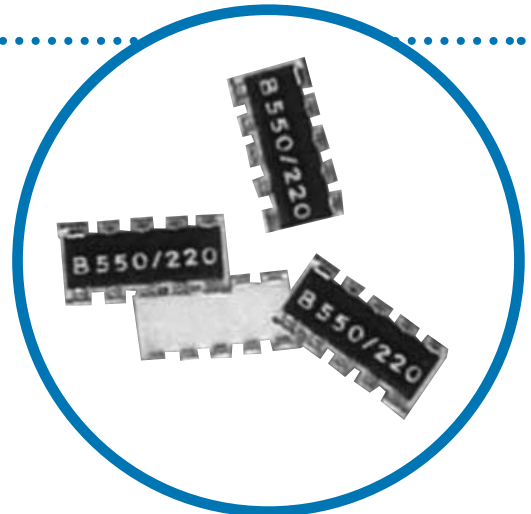


# Leadless Surface Mount Chip Resistor/ Capacitor Networks



## RC Series

- Thick film on ceramic construction
- Low profile suitable for PCMCIA
- Low inductance leadless design
- Available in two popular sizes: 1206 & 2512
- Nickel barrier terminations
- High speed AC line termination
- EMI/RFI filtering
- Enhanced parallel port (IEEE 1284)



## Electrical

Standard Resistance Range, Ohms	20 to 1Meg					
Resistance Tolerance	±20% (M Tol.) Optional: ±10% (K Tol.), ±5% (J Tol.)					
Temperature Coefficient of Resistance	±200ppm/°C					
Power Rating, Watts	RC4: 63mW per Resistor 63mW per Package			RC6: 63mW per Resistor 250mW per Package		
Capacitance, Maximum, pF	RC4: 200	RC6A: 220	RC6B: 68	RC6C: 68	RC6D: 220	RC6E: 180
Capacitor Characteristic	X7R					
Capacitor Tolerance	±20% at 1MHz, 25°C					
Capacitor Voltage Rating	25 Vdc					
Capacitor, Maximum, ΔC, -55°C to +125°C	±15%					
Capacitor Dissipation Factor	2.5% Max.					
Capacitor Dielectric Withstanding Voltage	125Vdc, 5 sec. 50mA Charge					
Capacitor Insulation Resistance	≥10,000 Megohms					
Operating Temperature Range	0 -40°C to +125°C					

Specifications subject to change without notice.

## Environmental

Solderability	MIL-STD-202, Method 208, Cond. B, 95% Coverage
Life	1,000 hours at 70°C (±3%+0.2 Ohms ΔR, ±10% ΔC)
Thermal Shock	MIL-STD-202F, Method 107, Cond. A (±3%+0.2 Ohms ΔR, ±10% ΔC)
Moisture Resistance	MIL-STD-202F, Method 106 (±3%+0.2 Ohms ΔR, ±10% ΔC)

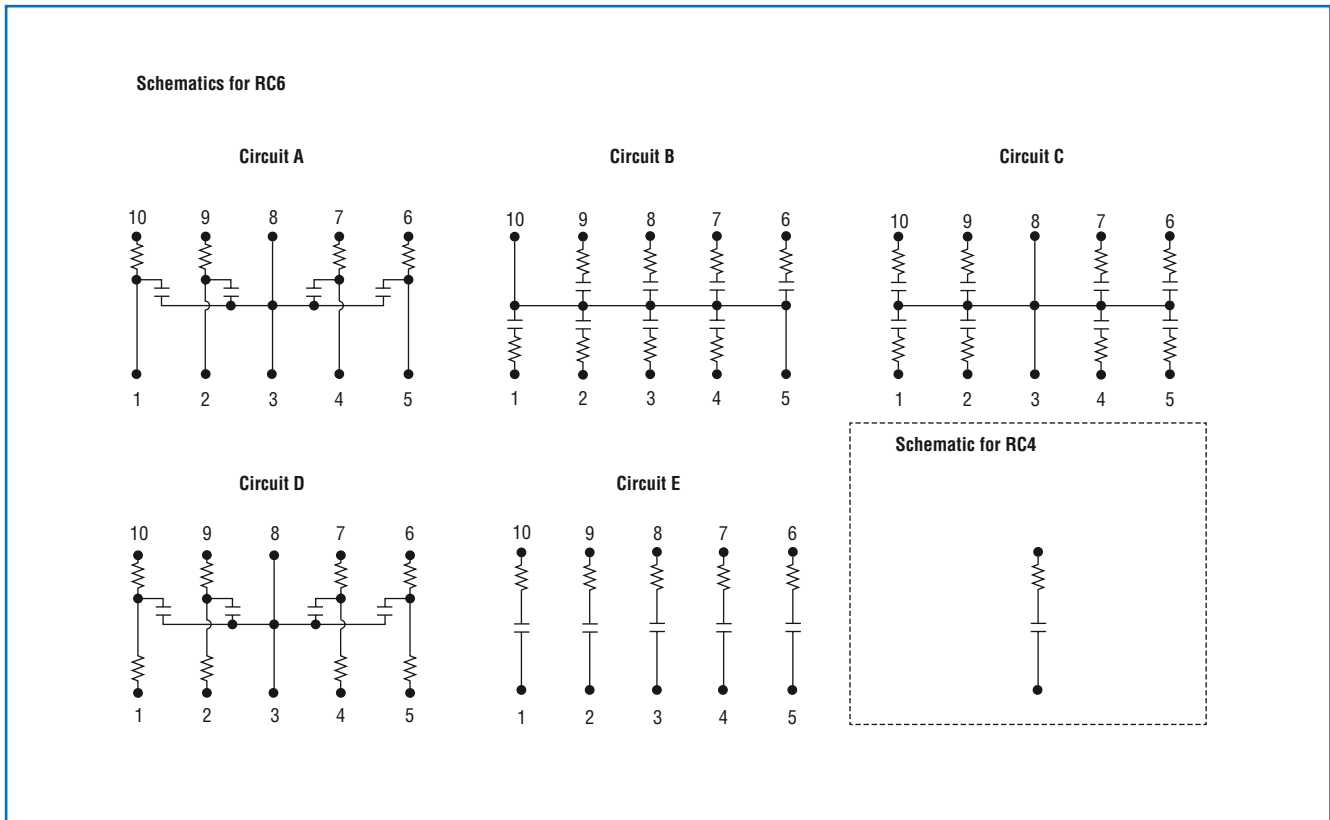
### General Note

TT electronics reserves the right to make changes in product specification without notice or liability. All information is subject to TT electronics' own data and is considered accurate at time of going to print.

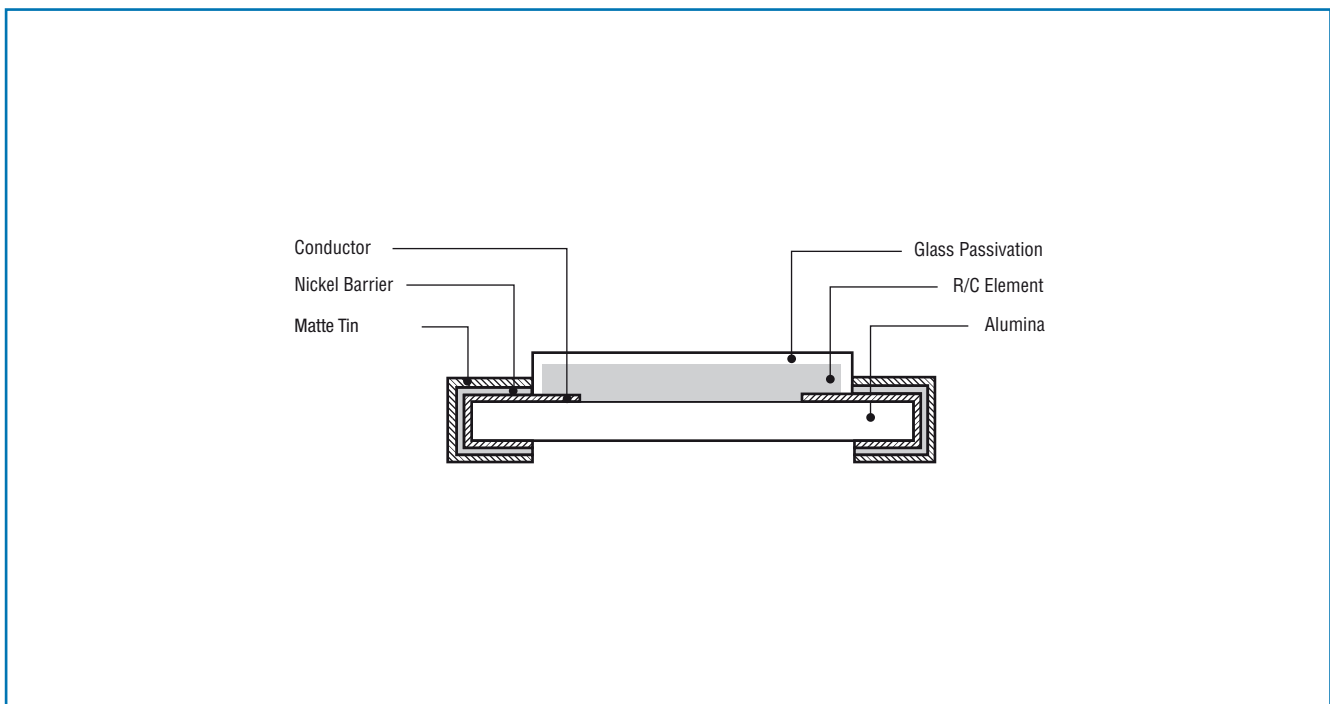


www.bitechnologies.com www.irctt.com www.welwyn-tt.com

## Schematics



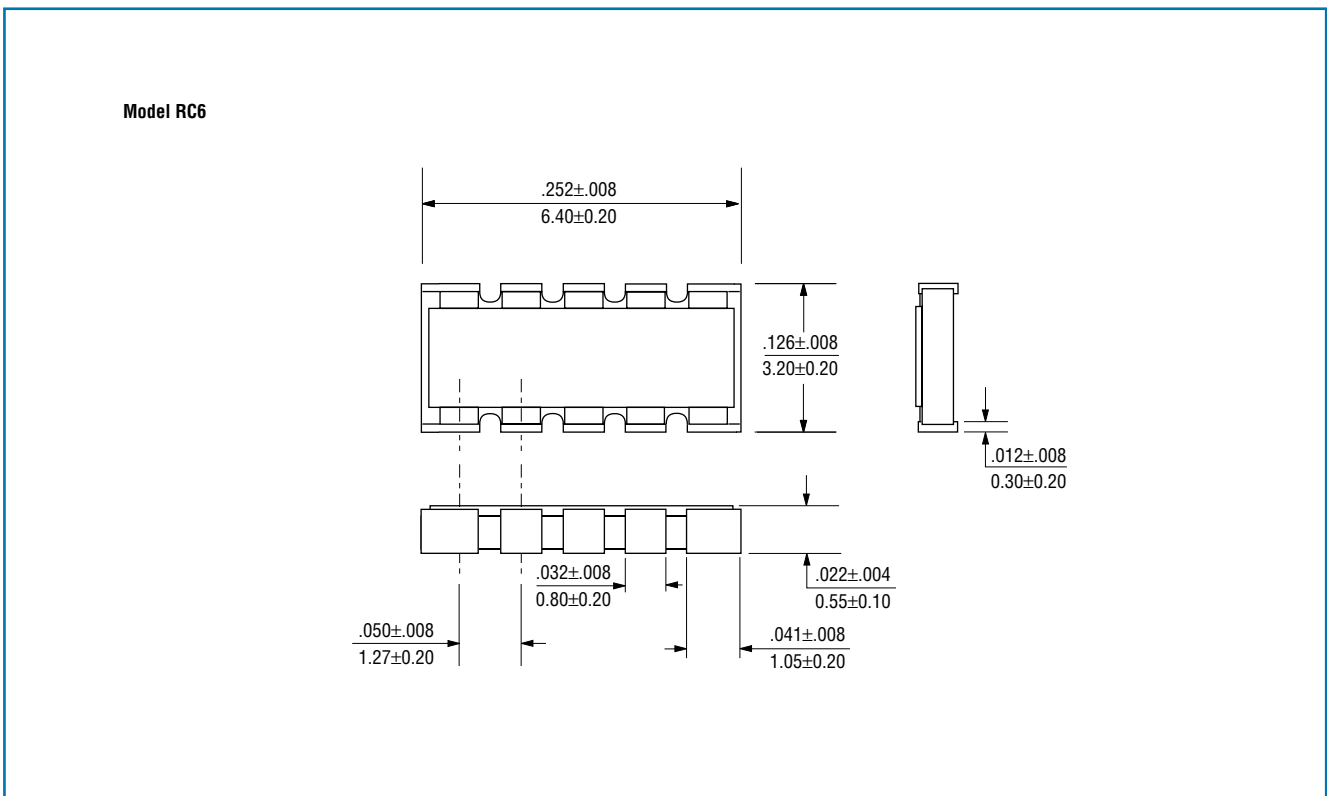
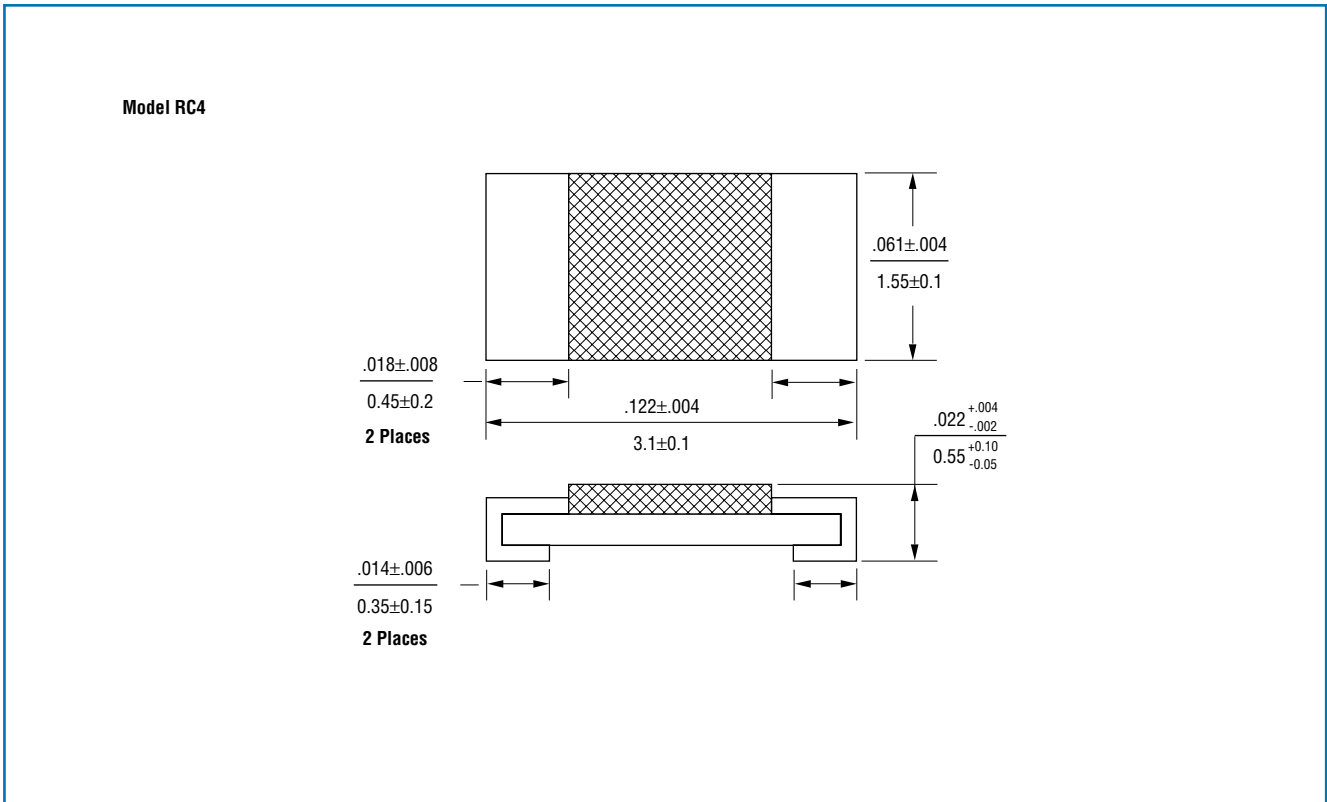
## Construction



### General Note

TT electronics reserves the right to make changes in product specification without notice or liability.  
All information is subject to TT electronics' own data and is considered accurate at time of going to print.

## Outline Dimensions (Inch/mm)



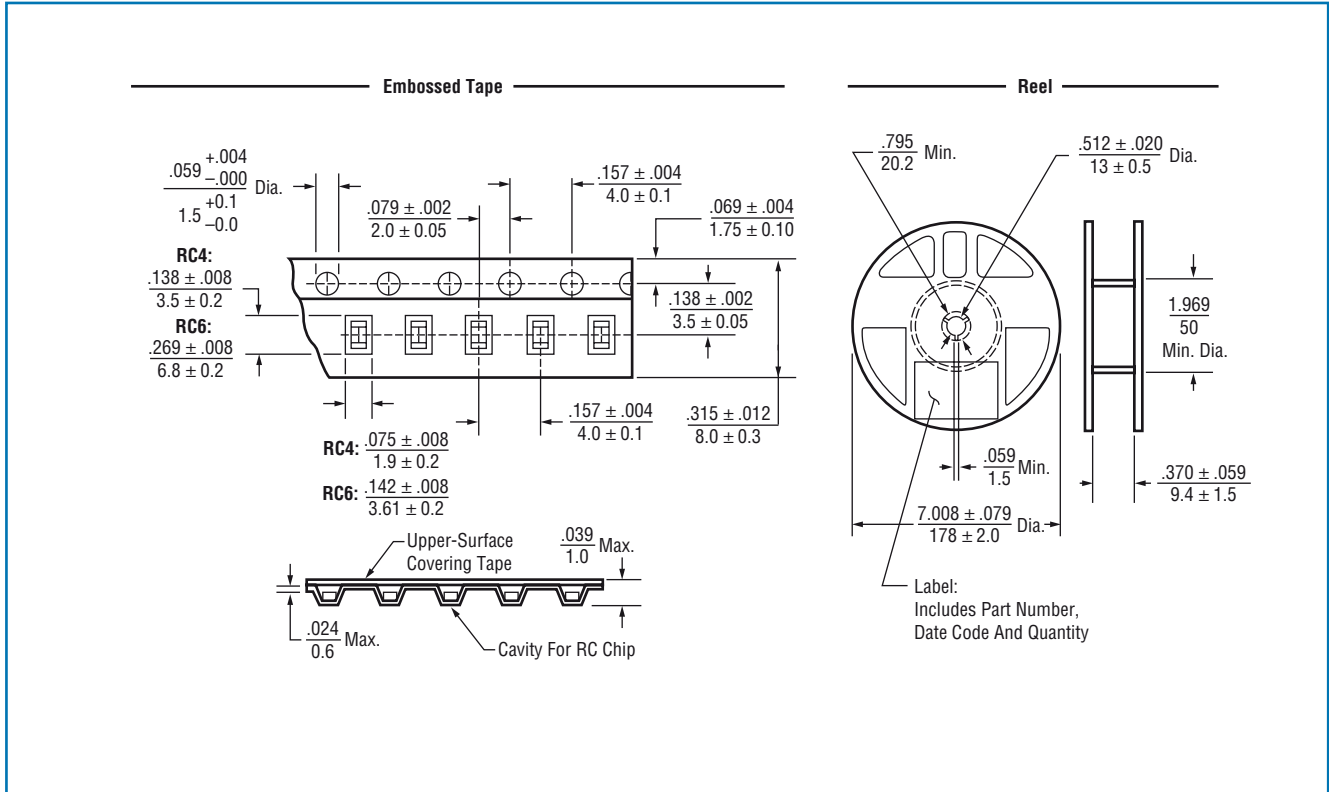
**General Note**

TT electronics reserves the right to make changes in product specification without notice or liability. All information is subject to TT electronics' own data and is considered accurate at time of going to print.

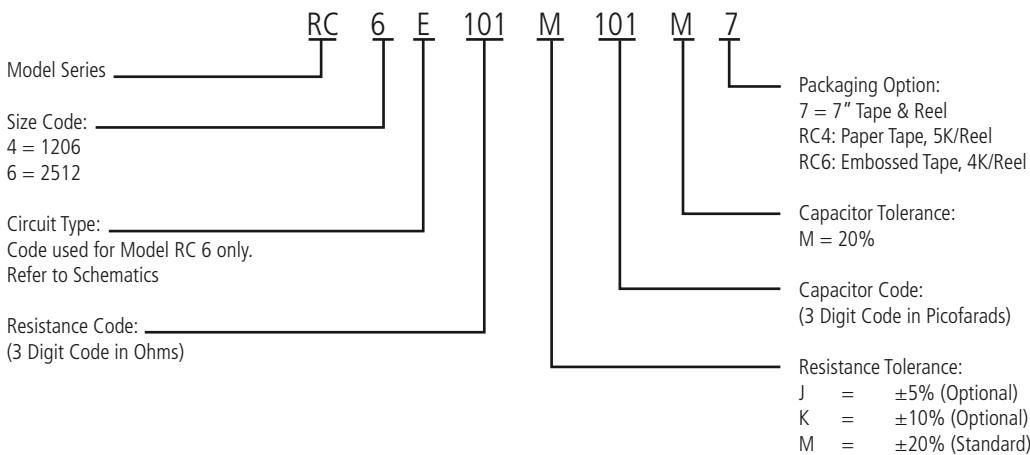


[www.bitechnologies.com](http://www.bitechnologies.com) [www.irctt.com](http://www.irctt.com) [www.welwyn-tt.com](http://www.welwyn-tt.com)

## Packaging (Inch / mm)



## Ordering Information



### General Note

TT electronics reserves the right to make changes in product specification without notice or liability. All information is subject to TT electronics' own data and is considered accurate at time of going to print.