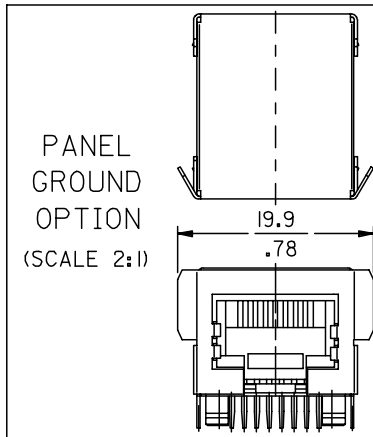


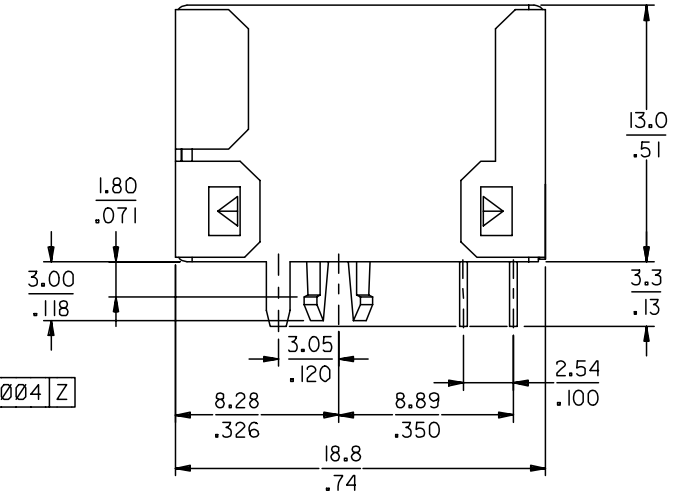
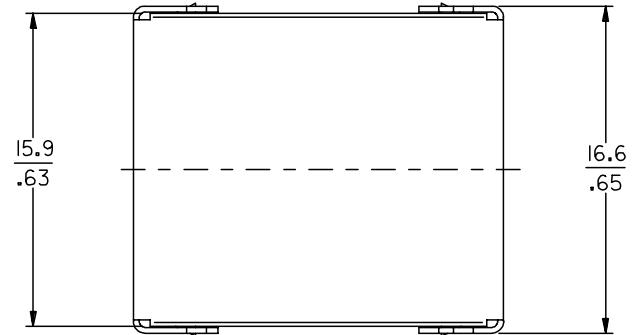
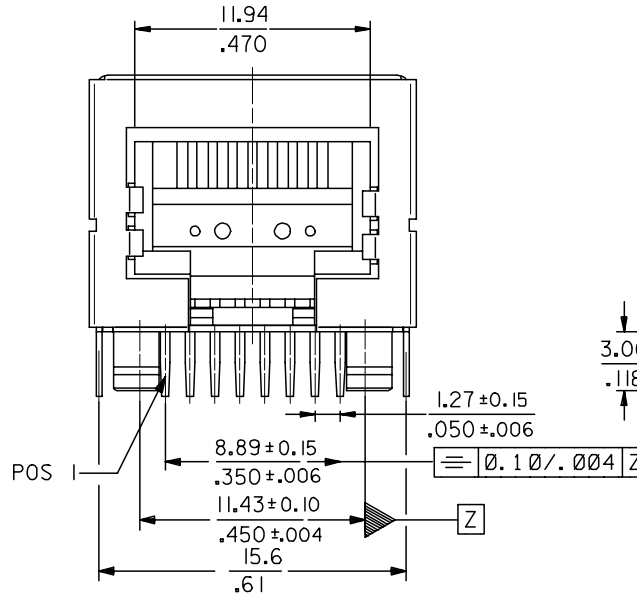
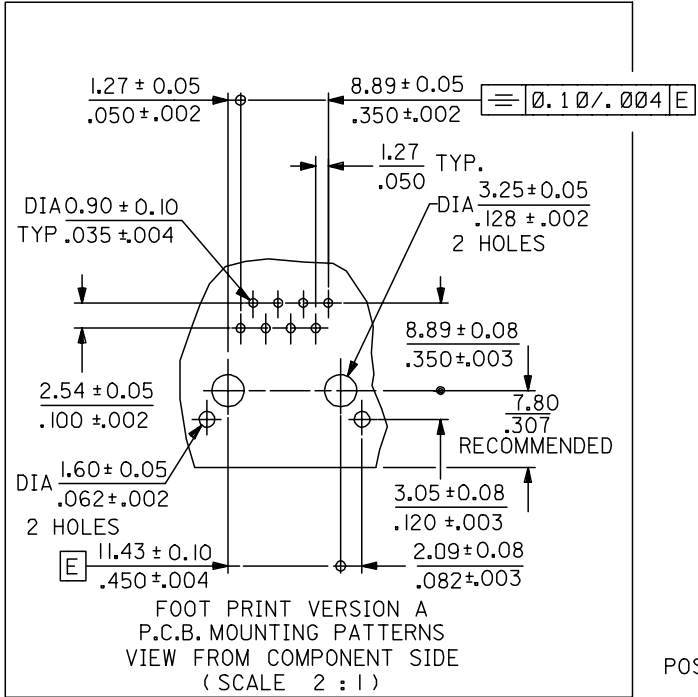
TECHNICAL SPECIFICATIONS:

I- MATERIAL :

HOUSING: POLYESTER GLASS FILLED UL 94VO COLOR BLACK
 TERMINAL : PHOSPHOR BRONZE PLATED WITH :
 0.00127/.000050 MIN. GOLD IN CONTACT AREA,
 0.00190/.000075 MIN. PURE TIN IN TAIL AREA,
 BOTH OVER 0.00127/.000050 MIN. NICKEL OVERALL
 SHIELD : BRASS PLATED WITH 0.0020/.000078 MIN. TIN



ENG. N°	FOOTPRINT VERSION	HOUSING SIZE	LOADED CKTS	PANEL GROUND	TOOLED	PACKAGING SPEC. NOTE 4
85505-0001	A	8	8	NO	YES	SHEET 1
85505-0002				YES	YES	SHEET 2



NOTES:

- JACK FOR MATING WITH SHIELDED PLUG MOLEX 95043 AND 85568 SERIES.
- PRODUCT SPECIFICATION: MOLEX PS-85505.
- APPLICATION SPECIFICATION: MOLEX AS-95001.
- PACKAGING SPECIFICATION: MOLEX PK-95122 SEE CHART.
- P.C. BOARD THICKNESS : 1.57/.062
- EXCEEDS CATEGORY 5E PERFORMANCE.

MODIFIED DIMS EC NO: E2006-1015 DRWN:DBYRNES 2006/05/03 CHKD: 2006/05/03 APPR:EDMAMONY 2006/05/16	QUALITY SYMBOLS	GENERAL TOLERANCES (UNLESS SPECIFIED)	DIMENSION STYLE	SCALE	DESIGN UNITS	THIRD ANGLE PROJECTION
	▽=0 ▽=0	4 PLACES ± --- ± --- 3 PLACES ± --- ± .010 2 PLACES ± 0.25 ± .014 1 PLACE ± 0.35 ± --- ANGULAR ± 2 °	MM/IN	4:1	METRIC	DRAWN BY: HB DATE: 99/07/06 CHECKED BY: ER DATE: 99/09/20 APPROVED BY: FR/MF DATE: 99/10/15 MATERIAL NO. SEE CHART DOCUMENT NO. SD-85505-003 SHEET NO. 1 OF 2
		DRAFT WHERE APPLICABLE MUST REMAIN WITHIN DIMENSIONS	SIZE A3	MOLEX INCORPORATED THIS DRAWING CONTAINS INFORMATION THAT IS PROPRIETARY TO MOLEX INCORPORATED AND SHOULD NOT BE USED WITHOUT WRITTEN PERMISSION		