



**DESCRIPTION**

The CUP Series has become a standard in the European relay market due to its versatile switch and schematic options. The staggered pin layout gives more space and allows for higher isolation from pin to pin on the PC board when compared to 1.0" x 0.1" relays. Designers have a choice between three switch technologies, the ruthenium sputtered DYAD®, the all position mercury wetted MYAD®, and the vertically mounting high performance MH4 contact. There is a choice between plastic and metal covers, as well as non-encapsulated types for lower capacitance. The CUPV models offer high input to output isolation and are BS EN 60950 approved.

**FEATURES**

- Standard nominal coil voltages include 5, 12 and 24 volts
- Available with plastic and metal can housings
- Designed to meet the most stringent telecommunications specifications on a worldwide basis
- Ideal for optional high isolation between input and output (up to 4000Vrms)

**APPLICATIONS**

- Telecom
- Process control
- General purpose electronics
- Industrial
- Security

**APPROVALS**

- FCC68 approval with switch options 5 or 6
- Consult factory for PTB approved types
- BS EN60950 for CUPV types

**RATINGS @ 25°C**

Parameter	Min	Typ	Max	Units
Switching Voltage				
Switch option 1			200	Volts
Switch option 5			1000	Volts
Switch option 6			500	Volts
Switching Current				
Switch option 1			0.75	Amps
Switch option 5 or 6			2	Amps
Carry Current				
Switch option 1			2	Amps
Switch option 5 or 6			3	Amps
Switching Frequency				
Switch option 1			500	Hz
Switch option 5			200	Hz
Switch option 6			300	Hz
Contact Resistance				
Switch option 1			200	mΩ
Switch option 5			40	mΩ
Switch option 6			100	mΩ
CUPV Switch option 1			200	mΩ
CUPV Switch option 6			100	mΩ

(See detailed specifications for more information.)

### SPECIFICATIONS

#### CUP C, E, P, S

Switch Type 6      Switch Type 5      Switch Type 1  
 All Position  
 Wetted Contacts      Wetted Contacts      Dry Reed  
 MYAD®      MH4      DYAD®

All parameters are at 25°C unless otherwise stated.

Parameter	Conditions	Symbol	Min	Typ	Max	Min	Typ	Max	Min	Typ	Max	Units
<b>Contact Ratings</b>												
Switching Voltage	Max DC/PeakAC Resistive	VL			500			1000			200	Volts
Switching Current	Max DC/PeakAC Resistive	IL			2			2			0.75	Amps
Carry Current	Max DC/PeakAC Resistive	Ic			3			3			2	Amps
Contact Rating	Max DC/PeakAC Resistive				50			50			10	Watts
Life Expectancy	Signal Level 1.0 V 10mA Rated Loads <sup>1</sup>			300			2000			500		x10 <sup>6</sup> Ops x10 <sup>6</sup> Ops
Static Contact Resistance	50mV, 10mA	CR			100			40			200	mΩ
Contact Material				Hg			Hg			Ru		
Hg Content				16			40			N/A		mgrams
<b>Relay Specifications</b>												
Insulation Resistance	Across Open Contacts	IR	10 <sup>8</sup>			10 <sup>8</sup>			10 <sup>10</sup>			Ω
	Contact to Coil		10 <sup>10</sup>			10 <sup>10</sup>			10 <sup>10</sup>			Ω
Capacitance	Across Open Contacts			1.5	2		1	1.5		1	1.5	pF
	Open Contact to Coil			3.5	3.8		2	2.5		2.5	3	pF
	Closed Contact to Coil			7.5	8		5	8		5	5.5	pF
Dielectric Strength	Across Open Contacts		1400			2000			350			VDC/Peak AC
	Contacts to Coil	I/O	2800			2800			2800			VDC/Peak AC
Operate Time, no bounce (bounce included-CUP1)	At Nominal Coil Voltage 10Hz Square Wave	TOP		1.6	2.7			3		0.55	1 <sup>(2)</sup>	ms
Release Time	Zener-Diode Suppression	TREL		1.4	1.75		1.5	2.5		0.5	1.3	ms
<b>Environmental Ratings</b>												
Storage Temperature		TA	-40		+105	-40		+105	-40		+105	°C
Operating Temperature		TO	-38		+75	-38		+75	-40		+85	°C
Soldering Temperature	Applied to pins, 5 sec. max.				+260			+260			+260	°C
Vibration Resistance (Survival)	10 Hz - 500 Hz	G			10			10				Gs
	5 Hz - 2000 Hz (Sw type 1)										20	Gs
Shock Resistance (Survival)	11±1ms, 1/2 Sine Wave	S			30			30			50	Gs
Weight (1A)				6.5			6.6			3.8		grams
Weight (2A2B/5A)				13.8			16.7			15.8		grams

<sup>1</sup> Consult factory for life requirements

<sup>2</sup> 1.5 msec. maximum for 4&5 form A relays, 1.5 msec. maximum for 5 form A, 2 form B and 2A2B relays

**COIL SPECIFICATIONS**

Units	Coil Voltage			Coil Resistance			Operate Voltage			Release Voltage		
	Volts			Ω			Volts			Volts		
Conditions				+/- 10%, 25°C			Must operate by 25°C			Must release by 25°C		
Part #	Min	Typ	Max	Min	Typ	Max	Min	Typ	Max	Min	Typ	Max
CUP E 001A105 <sup>1</sup>		5	12	126	140	154			3.5			0.28
CUP E 001A112		12	29	769	855	940			8.4			0.7
CUP E 001A124		24	57	2956	3285	3613			16.8			1.4
CUP E 002A105 <sup>1,2</sup>		5	9	63	70	77			3.5			0.25
CUP E 002A112		12	23	400	445	489			8.4			0.65
CUP E 002A124		24	45	1530	1700	1870			16.8			1.30
CUP E 001A505 <sup>3</sup>		5	11	94	105	115			3.5			0.5
CUP E 001A512		12	26	558	620	682			8.4			1.2
CUP E 001A524		24	39	1260	1400	1540			16.8			1.9
CUP E 002A505 <sup>3,4</sup>		5	9	63	70	77			3.5			0.5
CUP E 002A512		12	23	378	420	462			8.4			1.3
CUP E 002A524		24	35	972	1080	1188			16.8			2.2
CUP E 001A605		5	12	126	140	154			3.75			0.5
CUP E 001A612		12	32	900	1000	1100			9			1.4
CUP E 001A624		24	49	2070	2300	2530			18			2.2
CUP E 002A605 <sup>5</sup>		5	11	99	110	121			3.75			0.6
CUP E 002A612		12	26	540	600	660			9			1.5
CUP E 002A624		24	43	1440	1600	1760			18			2.3
CUP V 10001 <sup>6</sup>		5	12	472	525	577			3.5			0.28
CUP V 10002		12	29	2700	3000	3300			8.4			0.7
CUP V 10025		5	6	99	110	121			3.5			0.25
CUP V 10019		12	14	567	630	693			8.4			0.7
CUP V 10201		5	6	270	300	330			3.5			0.36
CUP V 10202		12	14	1440	1600	1760			8.4			1.0
CUP V 10301		5	6	112	125	137			3.5			0.3
CUP V 10302		12	15	675	750	825			3.4			0.7
CUP V 60003		5	12	126	140	154			3.75			0.5
CUP V 60004		12	30	900	1000	1100			9			1.4
CUP V 60005		24	49	2070	2300	2530			18			2.2
CUP V 60006		48	97	8073	8970	9867			36			4.4
CUP V 60201		5	6.5	162	180	198			3.75			0.4
CUP V 60202		12	15	990	1100	1210			9			1
CUP V 60203		24	30	3816	4240	4664			18			2
CUP V 60204		48	60	12600	14000	15400			36			4
CUP V 60401		5	10	99	110	121			3.75			0.6
CUP V 60402		12	24	540	600	660			9			1.5
CUP V 60403		24	48	1440	1600	1760			18			1.3
CUP V 60404		48	94	5580	6200	6820			36			4.8

<sup>1</sup> Other packages available: C = metal cover; E = plastic cover, fully sealed; P = metal cover, fully sealed; S = open version

<sup>2</sup> Other contact forms available: 1A, 2A, 3A, 4A, 5A, 1B, 2B, 1A1B, 2A2B, 1L (Latch)

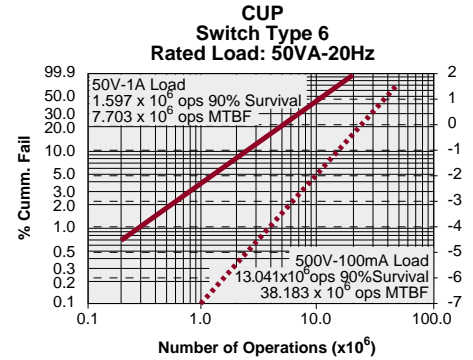
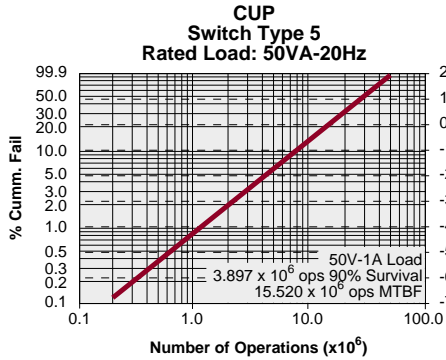
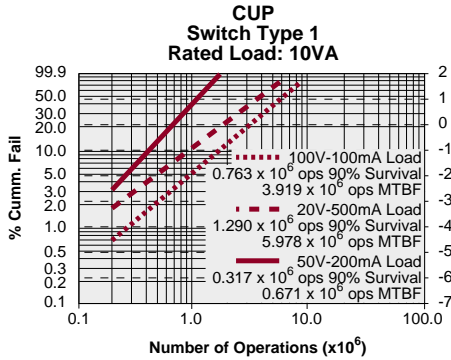
<sup>3</sup> Also available in metal cover

<sup>4</sup> Other contact forms available: 1A, 2A, 3A, 5A, 1B

<sup>5</sup> Other contact forms available: 1A, 2A, 3A, 4A, 5A, 1B

<sup>6</sup> All CUPV models BS certified (4000 VRMS)

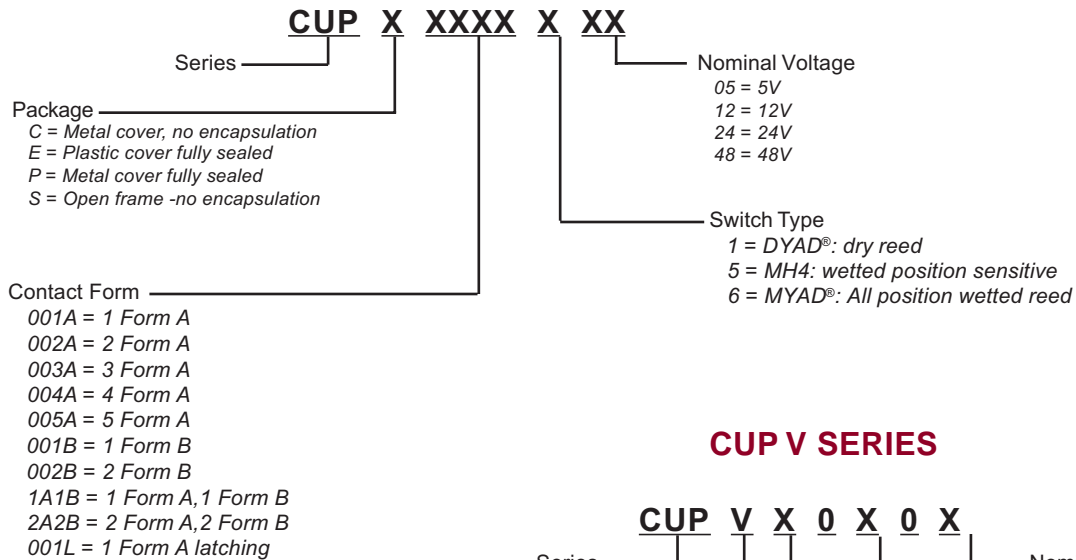
PERFORMANCE GRAPHS



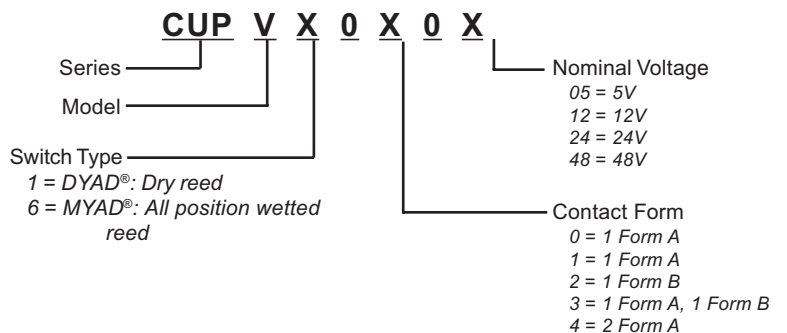
ORDERING INFORMATION

A complete part number is represented by the digits below.

CUP C, E, P, S



CUP V SERIES

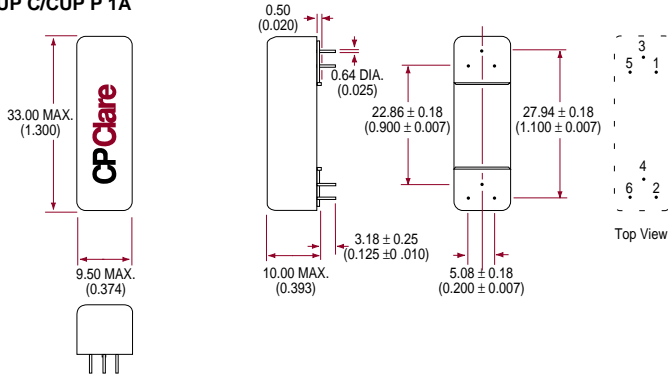


Consult factory for additional drawings & various contact forms.

### MECHANICAL DIMENSIONS

mm  
(inches)

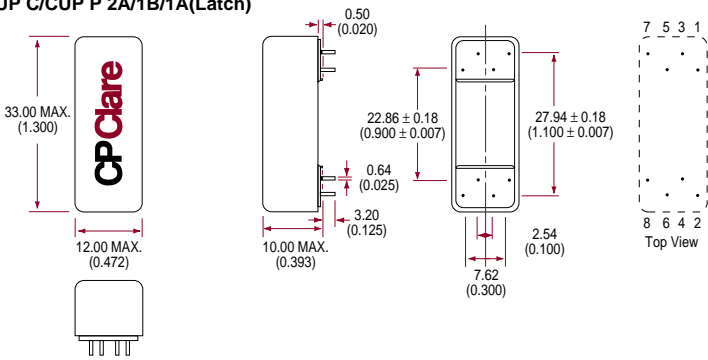
CUP C/CUP P 1A



CUP C/CUP P 1A



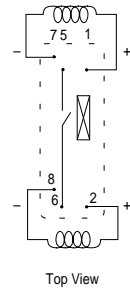
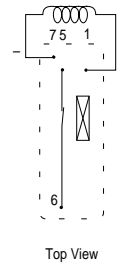
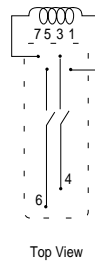
CUP C/CUP P 2A/1B/1A(Latch)



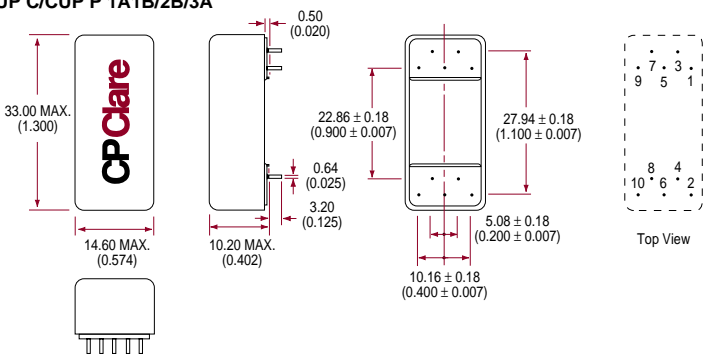
CUP C/CUP P 2A

CUP C/CUP P 1B

CUP C/CUP P 1A(Latch)



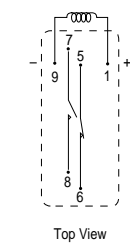
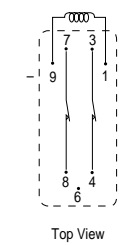
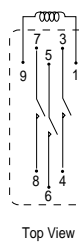
CUP C/CUP P 1A1B/2B/3A



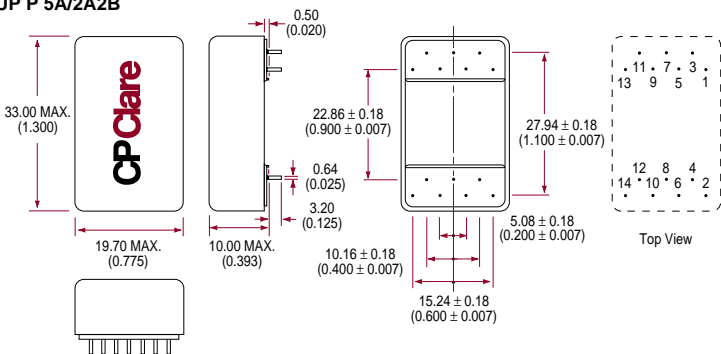
CUP C/CUP P 3A

CUP C/CUP P 2B

CUP C/CUP P 1A1B



CUP P 5A/2A2B



CUP P 5A

CUP P 2A2B

