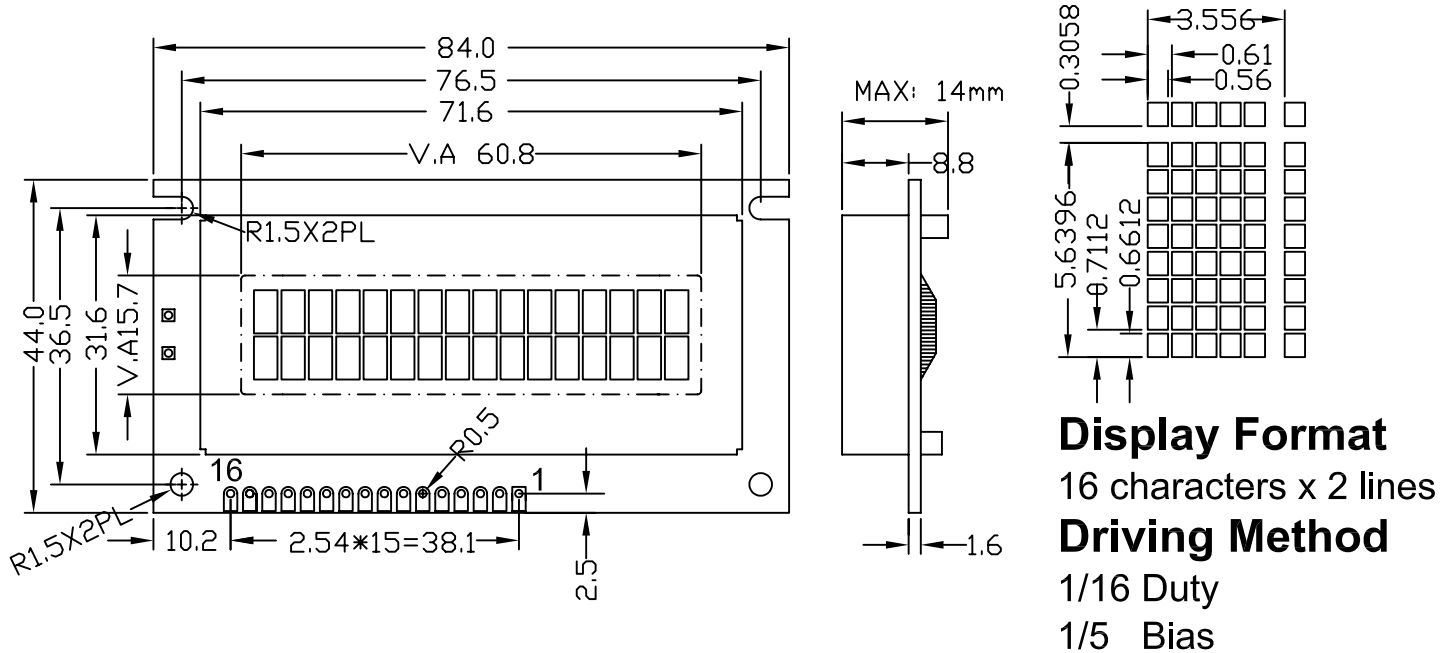


① PHYSICAL DIMENSION



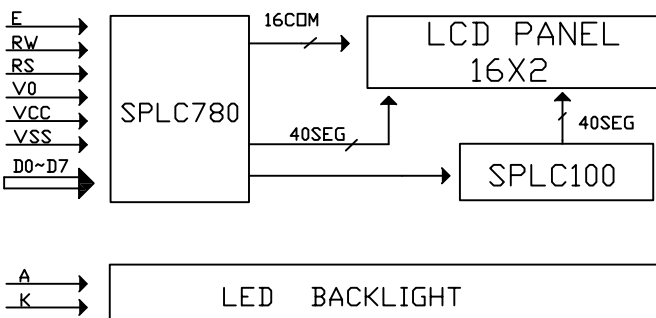
② MECHANICAL DATA

ITEM	SPECIFICATION	UNIT
Module Size With B/L (W X H X T)	84 X 44X 14	mm
Viewing Area (W X H)	60.8 X 15.7	mm
Number of Characters (W X H)	16 X 2	Characters
Dot Pitch (W X H)	0.61X 0.71	mm
Dot Size (W X H)	0.56X 0.66	mm
Weight	50.0 (With B/L)	g

③ PIN CONFIGURATION

ITEM	SYMBOL	DESCRIPTION	
1	VSS	Power ground	
2	VCC	Power positive (+5V+10%).	
3	V0	Negative voltage Supply for LCD	
4	RS	H:Data L:Instruction Code	
5	R/W	H:Read L:Write	
6	E	Enable trigger	
7	DB0	Data bus [0~7]. There state I/O common terminal.	
14	DB7		
15	LED-A		BACKLIGHT ANODE(+5V).
16	LED-K		BACKLIGHT CATHODE (0V).

④ BLOCK DIAGRAM



⑤ ABSOLUTE MAXIMUM RATINGS (25°C)

PARAMETER	SYMBOL	MIN.	MAX.	UNIT
SUPPLY VOLTAGE LOGIC	VDD	0	5.5	V
SUPPLY VOLTAGE DRIVER	VDD-V0	0	7	V
INPUT VOLTAGE	VIN	0	VDD	V