

Recommended P.C.B. Layout(Component Side View)
(PCB Board Tolerance±0.10)

SPECIFICATION

Housing:PA66(UL94V-0),Black
 Inserter:PBT,Black
 Contact:Copper Alloy
 Shield:Brass,Nickel Plated
 Pin Not Electrically Connected Maybe Omitted See
 Electrical Drawing For Omitted Pins
 RJ45 Cavities Conform To FCC Rules And Regulation Part 68.
 The Part Is Recommended For Wave Soldering Process Peak
 Soldering Temperature Is 260°C Max.,10 Secs Max.
 Operating Temperature:0°C~+70°C
 Storage Temperature:-40°C~+85°C
 RoHS Compliant

MJ ULL 0808 F F XX X X T9 - H
 (1) (2) (3) (4) (5) (6) (7) (8) (9) (10)

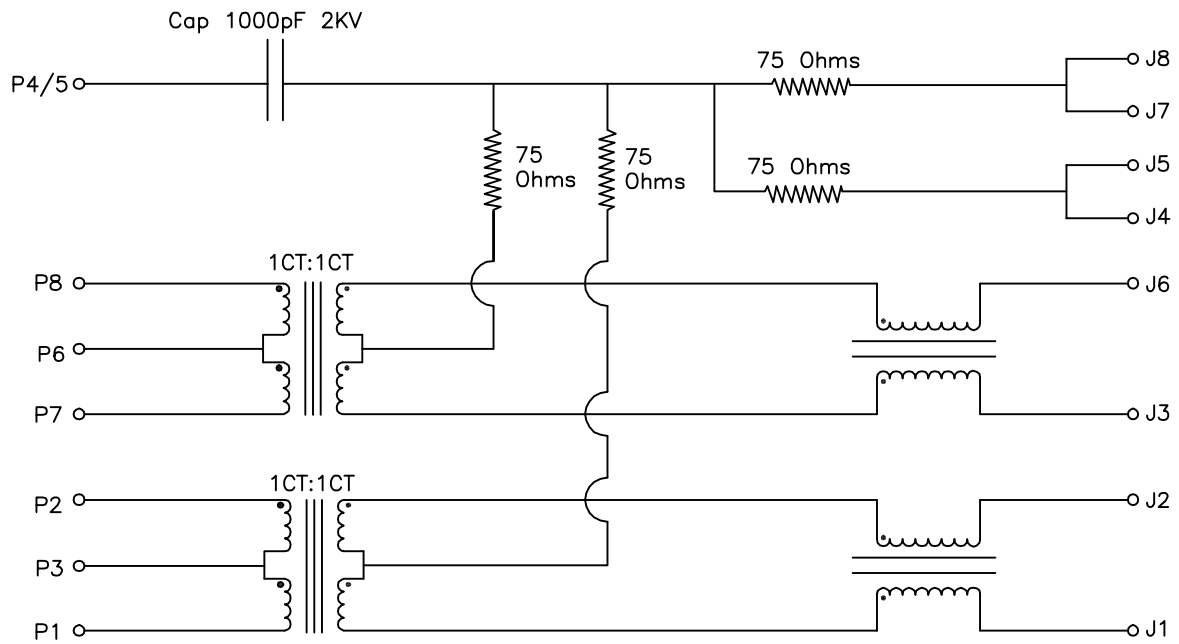
- (1) MJ:Modular Jack
- (2) ULL:Down LED Series
- (3) 0808:8P8C
- (4) F:Full Shielded
- (5) F:With Panel Ground
- (6) XX:Contact Finish
 01:Gold Flash On Contact Area,Tin
 Plated On Solder Tails,Over Nickel
 06:Gold Plated 06u" On Contact Area,Tin
 Plated On Solder Tails,Over Nickel
 15:Gold Plated 15u" On Contact Area,Tin
 Plated On Solder Tails,Over Nickel
 30:Gold Plated 30u" On Contact Area,Tin
 Plated On Solder Tails,Over Nickel
- (7) X:Right LED Color
- (8) X:Left LED Color
- (9) T9:With Transformer
- (10) H:RoHS Compliant

LED Color		
Code	Forward	Reverse
G	Green	--
Y	Yellow	--
R	Red	--
N	Amber	--
O	Orange	--
A	Green	Red
C	Green	Yellow(Amber)
D	Yellow	Red
E	Yellow	Green
F	Red	Green
H	Red	Yellow
I	Beige	--
J	Green	Orange
K	Black	--
L	Lime	--
M	Orange	Green

AUK A MEMBER OF AUK GROUP
太聯事業股份有限公司
AUK CONTRACTORS CO., LTD.

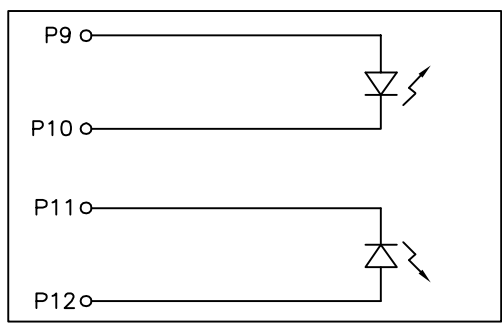
CATEGORY		APPROVED BY		UNLESS OTHERWISE SPECIFIED TOLERANCES ARE .XX ±0.254
PART No. MJULL0808FFXXXXT9-H		MEI		
DRAWING No. MJULL0808FFXXXXT9-H		CHECKED BY HZF		
SCALE NONE		DRAWING BY WSS		
REV.	A0	UNIT	mm	NO. REV.

△ A0	NEW RELEASE	HZF	07/05/2011
	REVISIONS	CHK	DATE



ELECTRICAL SPECIFICATION

- 1.0 Turns Ratio @100 KHz:(P1~P2):(J1~J2):1:1±5%
(P7~P8):(J3~J6):1:1±5%
- 2.0 Primary Inductance:350uH Min. @100 KHz,0.1V 8mA DC Bias
- 3.0 DC Resistance:(J1~J2):(J3~J6) 1.2 Ohms Max.
- 4.0 Insertion Loss:1~100 MHz -1.2dB Max.
- 5.0 Return Loss:1~30 MHz:-16dB Min.
30~60 MHz:-12dB Min.
60~80 MHz:-10dB Min.
- 6.0 Cross Talk:1~100 MHz:-30dB Min.
- 7.0 Common To Common Mode Attenuation:1~100 MHz:-30dB Min.
- 8.0 Isolation:PHY Side To Line Side:1500V AC Or 2250V DC
RoHS Compliant



LED Color Option

Left LED Single Color Right LED Single Color	Left LED Single Color Right LED Dual Color	Left LED Dual Color Right LED Single Color	Left LED Dual Color Right LED Dual Color
P9 ○ P10 ○ P11 ○ P12 ○	P9 ○ P10 ○ P11 ○ P12 ○	P9 ○ P10 ○ P11 ○ P12 ○	P9 ○ P10 ○ P11 ○ P12 ○

*F: Forward ; R: Reverse

AUK A MEMBER OF AUK GROUP
太聯事業股份有限公司
AUK CONTRACTORS CO., LTD.

CATEGORY		APPROVED BY		UNLESS OTHERWISE SPECIFIED TOLERANCES ARE .XX ±0.254					
PART No. MJULL0808FFXXXXT9-H		MEI							
DRAWING No. MJULL0808FFXXXXT9-H		CHECKED BY							
		HZF							
SCALE		REV.		UNIT		NO. REV.		DATE	
NONE		A0		mm		A0		07/05/2011	
				⊕		NEW RELEASE		HZF	
						REVISIONS		CHK	