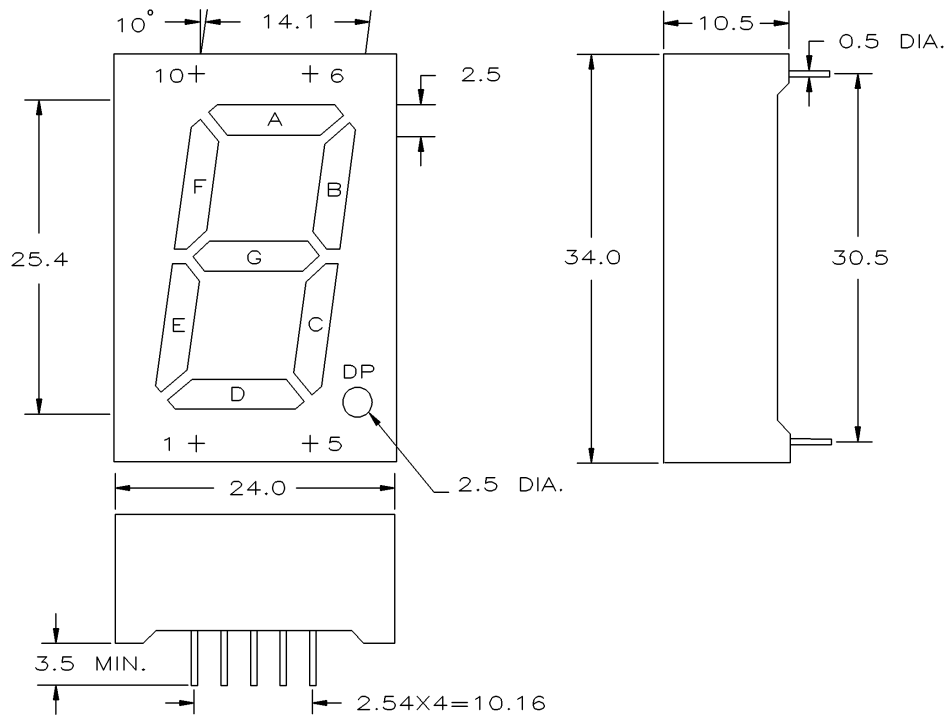


# Ledtech SINGLE DIGIT DISPLAY

## 1.0" SINGLE DIGIT DISPLAY Electrical/Optical Characteristics at $T_A=25^\circ\text{C}$ & $I_F=20\text{mA}$

PART NUMBER	CHIP COLOR	$\lambda_p$ (nm)	$V_F$ (V)		$I_V$ (mcd)	
			SEG.	DP.	MIN.	TYP.
			TYP.	MAX.		
LA(C)2521-21	GREEN	572	4.2	2.1	6.2	10.4
LA(C)2531-21	YELLOW	589	4.2	2.1	5.0	8.3
LA(C)2541-21	ORANGE	630	4.2	2.1	7.0	11.7
LA(C)2541R-21	ORANGE	630	4.2	2.1	7.0	11.7
LA(C)2571-21-M1	RED	660	3.4	1.7	16.4	27.4
LA(C)2551-21	RED	700	4.2	2.1	1.6	2.7



### LA25X1-21 COMMON ANODE

PIN NO.	FUNCTION
1. CATHODE	E
2. CATHODE	D
3. COMMON ANODE	
4. CATHODE	C
5. CATHODE	DP
6. CATHODE	B
7. CATHODE	A
8. COMMON ANODE	
9. CATHODE	F
10. CATHODE	G

### LC25X1-21 COMMON CATHODE

PIN NO.	FUNCTION
1. ANODE	E
2. ANODE	D
3. COMMON CATHODE	
4. ANODE	C
5. ANODE	DP
6. ANODE	B
7. ANODE	A
8. COMMON CATHODE	
9. ANODE	F
10. ANODE	G