

**Descriptions**

- High voltage application
- Monitor equipment application

**Features**

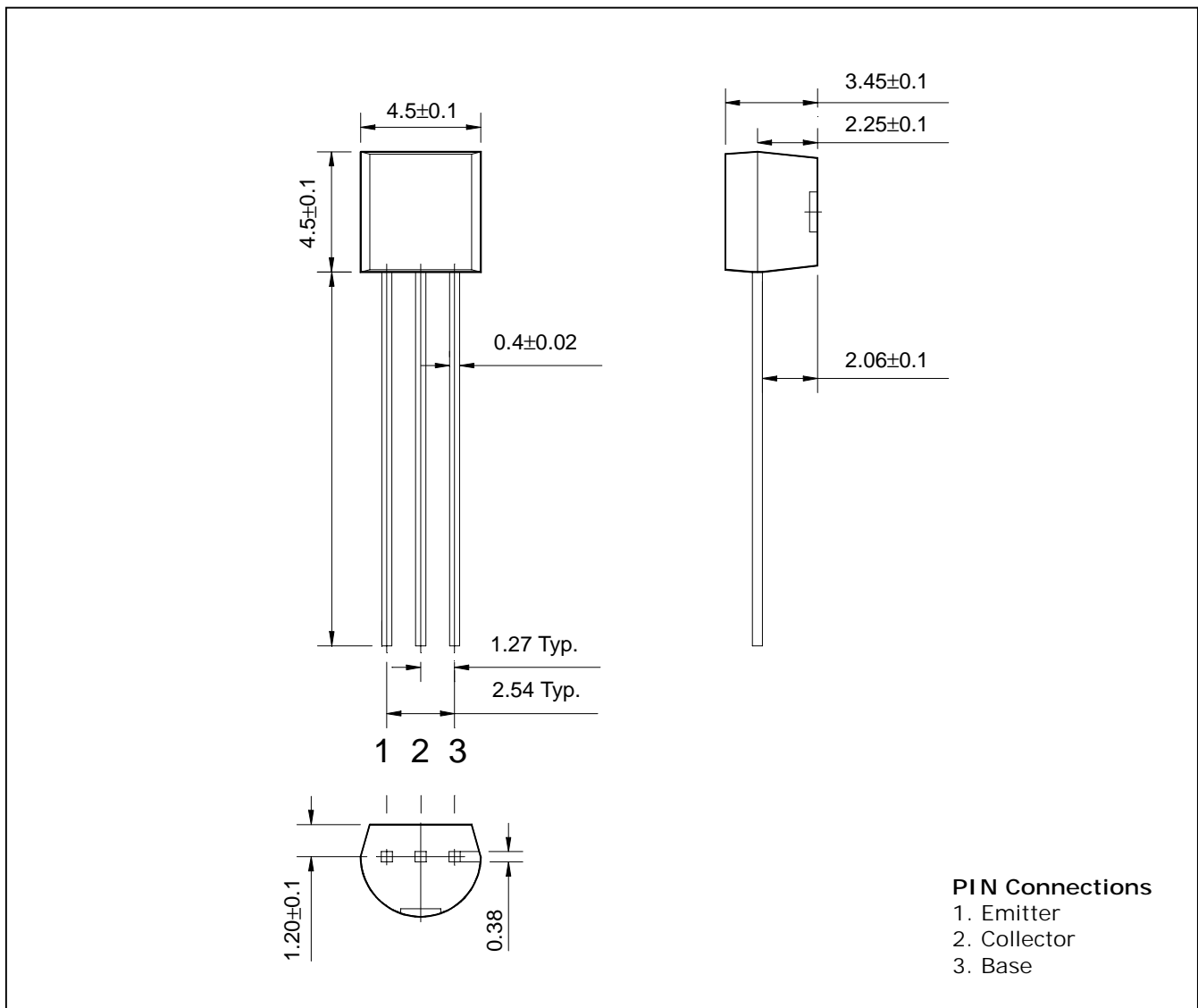
- Collector-Emitter voltage :  $V_{CE0}=250V$
- Complementary pair with BF423

**Ordering Information**

Type NO.	Marking	Package Code
BF422	BF422	TO-92

**Outline Dimensions**

unit : mm



**Absolute maximum ratings**

Characteristic	Symbol	Ratings	Unit
Collector-Base voltage	$V_{CBO}$	250	V
Collector-Emitter voltage	$V_{CEO}$	250	V
Emitter-base	$V_{EBO}$	5	V
Collector current	$I_C$	100	mA
Collector dissipation	$P_C$	625	mW
Junction temperature	$T_J$	150	°C
Storage temperature	$T_{stg}$	-55 ~ 150	°C

**Electrical Characteristics**

Characteristic	Symbol	Test Condition	Min.	Typ.	Max.	Unit
Collector-Emitter breakdown voltage	$BV_{CEO}$	$I_C=1mA, I_B=0$	250	-	-	V
Collector cut-off current	$I_{CBO}$	$V_{CB}=200V, I_E=0$	-	-	100	nA
Emitter cut-off current	$I_{EBO}$	$V_{EB}=5V, I_C=0$	-	-	100	nA
DC current gain	$h_{FE}$	$V_{CE}=20V, I_C=25mA$	50	-	-	-
Collector-Emitter saturation voltage	$V_{CE(sat)}$	$I_C=30mA, I_B=5mA$	-	-	0.6	V
Transistor frequency	$f_T$	$V_{CE}=20V, I_C=10mA,$ $f=100MHz$	-	100	-	MHz
Collector output capacitance	$C_{ob}$	$V_{CB}=20V, I_E=0, f=1MHz$	-	1	-	pF

This datasheet has been download from:

[www.datasheetcatalog.com](http://www.datasheetcatalog.com)

Datasheets for electronics components.