

	WANJIA	Current Transformer	WJ703-1
---	--------	---------------------	---------



- Small size,Nice anti-interfere, Wide operation range, Good Linerility
- As per IEC185 and GB1208-1997 standard.

Specification:

Coil parameter (20C)

Model	Rate	Rated Primary Current	Rated Secondary Current	Turn Number Ratio
WJ703-1	5(20)A	5	5	1:999
WJ703-1	5(30)A			
WJ703-1	5(40)A			
WJ703-1	10(40)A	10	10	
WJ703-1	10(50)A			
WJ703-1	10(60)A			
WJ703-1	10(80)A			
WJ703-1	10(100)A			
WJ703-1	10(40)A	10	5	1:1999
WJ703-1	10(50)A			
WJ703-1	10(60)A			
WJ703-1	10(80)A			
WJ703-1	10(100)A			

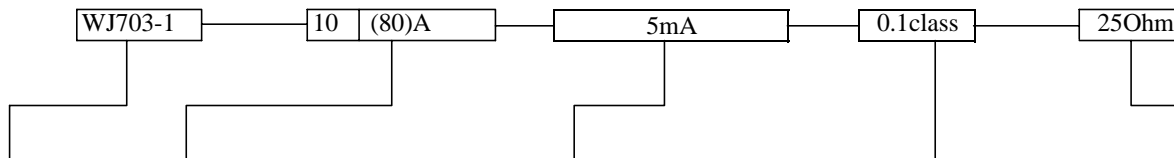
Technological characteristic

Dielectric Strength		•3000VAC/min,leadaage current 1mA	
Insulation Resistance		•5M• (500VDC)	
Resistacen to impact		•98m/s ²	
Vibration		10•55 Hz 1mm(Double amplitude)	
Ambient Temp		-25•40•	
Weight		•47g	
Accuracy	0.1Class	Linearity	•0.1%
		Phase difference	•8'
	0.5Class	Linerarity	•0.5%
		Phase difference	•30'

Typical application

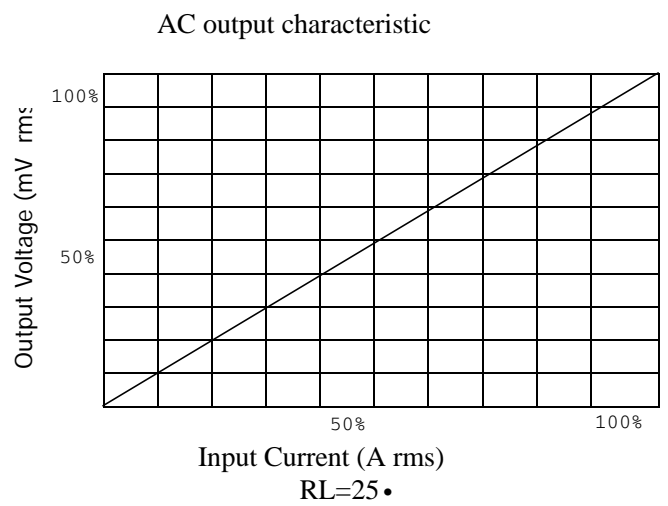
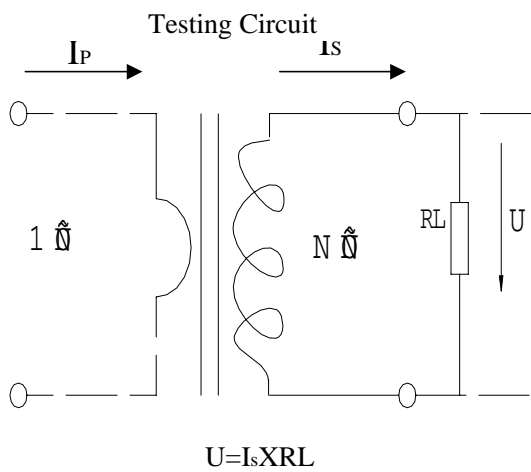
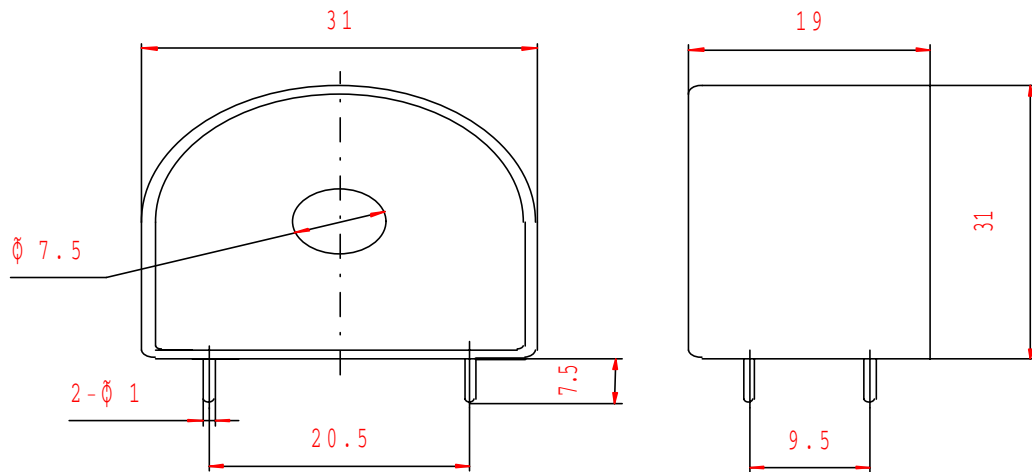
- | | | |
|-------------------------------|--------------------------|------------------------------|
| 1.Electrical energy meters | 2.Industrial apparatus | 3.Electric testing equipment |
| 4.Household eletric equipment | 5.Electric communication | 6.Relay protection |

Ordering Information



Modle	Rated Primay Current	Max.Current	Rated Secodary Current	Accuracy Class	Secondary Load
WJ703-1	5A,10A	20A,30A,40A,50A, 60A,80A,100A	5mA,10mA	0.1Class, 0.5Class	25•
	10A		5mA		

WJ703-1 Mounting Diagram



Tel: 0577-86554286 86531158 86553841
 E-mail: wzwj@mail.wzptt.zj.cn

Wenzhou Wanjia Electric Equipment Co,Ltd
 Fax•0577-86554288