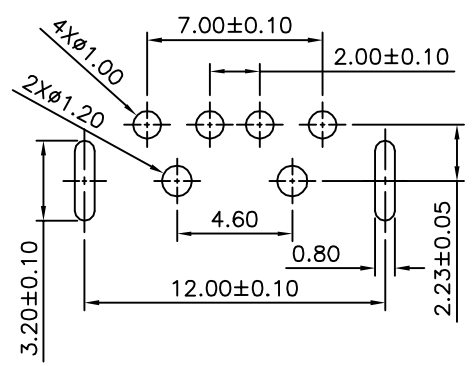


SPECIFICATION

Current:1.5A Max.
 Voltage:30V Max.
 Withstanding Voltage:500V AC
 Contact Resistance:30 Milliohms Max.
 Insulation Resistance:1000 Megaohms Min.
 Temperature Range:-55°C~+85°C
 Mating Force:35N Max.
 Withdrawal Force:10N Min.
 Durability:1500 Cycles Min.
 ▲ Contact:Brass
 ▲ Insulator:PBT+30%G.F.(UL94V-0)
 Shell:SPCC,Nickel Plated Over All
 RoHS Compliant

▲ USB 1X04 P R - XX - SXX - H
 (1) (2) (3) (4) (5) (6) (7)

- (1) USB:USB Series
- (2) 1X04:A Type
- (3) P:Male
- (4) R:DIP Right Angle
- (5) XX:Insulator Color
 Blank:White
 BK:Black
- (6) SXX:Contact Finish
 Blank:Gold Flash On Contact Area,
 Tin Plated On Solder Tails,Over Nickel
 S15:Gold Plated 15u" On Contact Area,
 Tin Plated On Solder Tails,Over Nickel
 S30:Gold Plated 30u" On Contact Area,
 Tin Plated On Solder Tails,Over Nickel
- (7) H:RoHS Compliant



Recommended P.C.B. Layout

AUK A MEMBER OF AUK GROUP
太聯事業股份有限公司
AUK CONTRACTORS CO., LTD.

CATEGORY		APPROVED BY		UNLESS OTHERWISE SPECIFIED TOLERANCES ARE .X ±0.38 .X* ±2* .XX ±0.25 .XX* ±1* .XXX ±0.13 .XXX* ±0.5*
PART No. USB1X04PR-XX-SXX-H		MEI		
DRAWING No. USB1X04PR-XX-SXX-H		HZF		
SCALE NONE		A1		
REV.		DRAWING BY		UNIT mm
6		GAO		
REV.		A1		NO.REV.
6		A1		

NO.	REV.	REVISIONS	CHK	DATE
▲ A1		Modify P/N:USB1X04PR-XX-H --> USB1X04PR-XX-SXX-H	HZF	07/26/2012
▲ A0		NEW RELEASE	HZF	03/22/2009