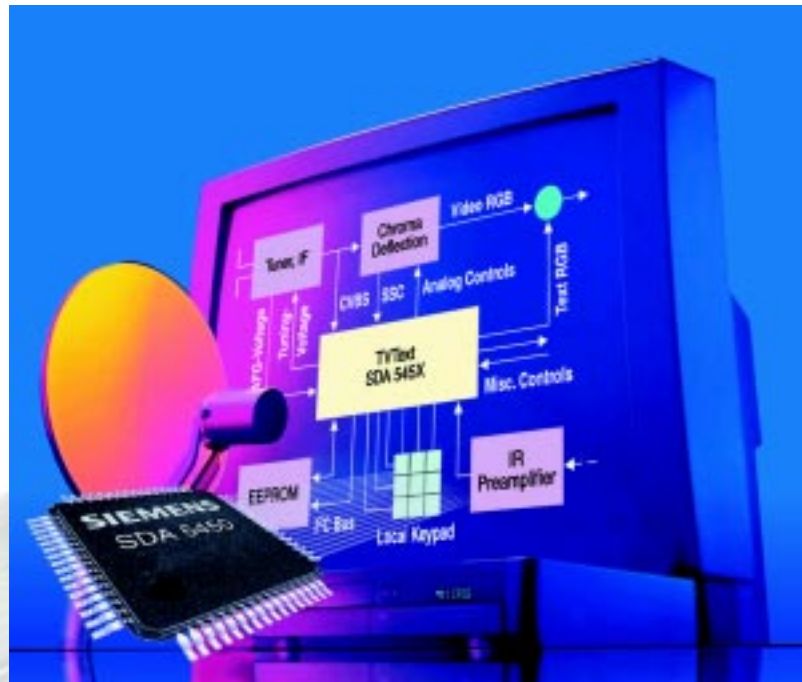


## Product Brief

# TVText Plus

# SDA 545X

### Video Text Controller



#### Potential Application

The TVText Plus Family offers a flexible and cost effective solution for low end up to mid range TV sets

#### Features

- 8-Bit-Microcontroller (8051-compatible) with up to 24 MHz (min. 250 ns)
- Videotext decoder and on-screen-display-generator in one chip.
- Display memory from 1 up to 10 pages
- Internal ROM from 16 Kbyte up to 64 Kbyte
- ROMless version with port to external EPROM/SRAM (max. 512 Kbyte)
- internal RAM 256 Byte + 1 Kbyte XRAM (10-page-versions only)
- 4-Channel-ADC (8-Bit resolution)
- 6-Channel-PWM (8-Bit resolution)
- 2-Channel-PWM (14-Bit resolution)
- 2 Timers, 1 Watchdog- Timer + 1 dedicated IR-Timer
- CLUT with 8 FG/8 BG out of 64 colors
- 56 Characters per Line for 16:9 CRTs

#### Software Support

- Worldwide tested Firmware-Modules for data acquisition and infrared detection
- Display editor for easy OSD programming and font definition
- Electronic Program Guide provided by Tara Systems (Now & Next, this channel)
- Various Character Sets available

#### Hardware Support

- Various Emulators (supported by Kleinhenz, Dr. Krohn & Stiller, Hitex)
- Demonstration board with remote control and Demo-Software
- OTP-version for development, ramp-up and peak-production

Sales Code	Internal ROM	External ROM	Number of Pages	XRAM
SDA 5450	–	512 Kb	10	1 Kb
SDA 5451	16 Kb	–	1	–
SDA 5452	24 Kb	–	1	–
SDA 5453	32 Kb	–	1	–
SDA 5454	40 Kb	–	10	1 Kb
SDA 5455	48 Kb	–	10	1 Kb
SDA 5456	56 Kb	–	10	1 Kb
SDA 5457	64 Kb	–	10	1 Kb
SDA 545X OTP	64 Kb OTP	–	10	1 Kb

Character Set - Language	Latin	Cyrillic <sup>*)</sup>	Greek	Arabic <sup>*/**)</sup>
German	X	X	X	X
English	X	X	X	X
Scandinavian	X	—	X	X
Italian	X	—	X	X
French	X	—	X	X
Spanish	X	—	X	X
Icelandic	X	—	X	X
Greek	—	—	X	—
Polish	X	X	—	—
Czechian	X	X	—	—
Romanian	X	X	—	—
Serbian	X	X	—	—
Hungarian	X	X	—	—
Russian / Byelorussian	—	X	—	—
Lettish / Lithuanian	—	X	—	—
Ukrainian	—	X	—	—
Estonian	—	X	—	—
Arabic	—	—	—	X
Farsi	—	—	—	X

## Availability

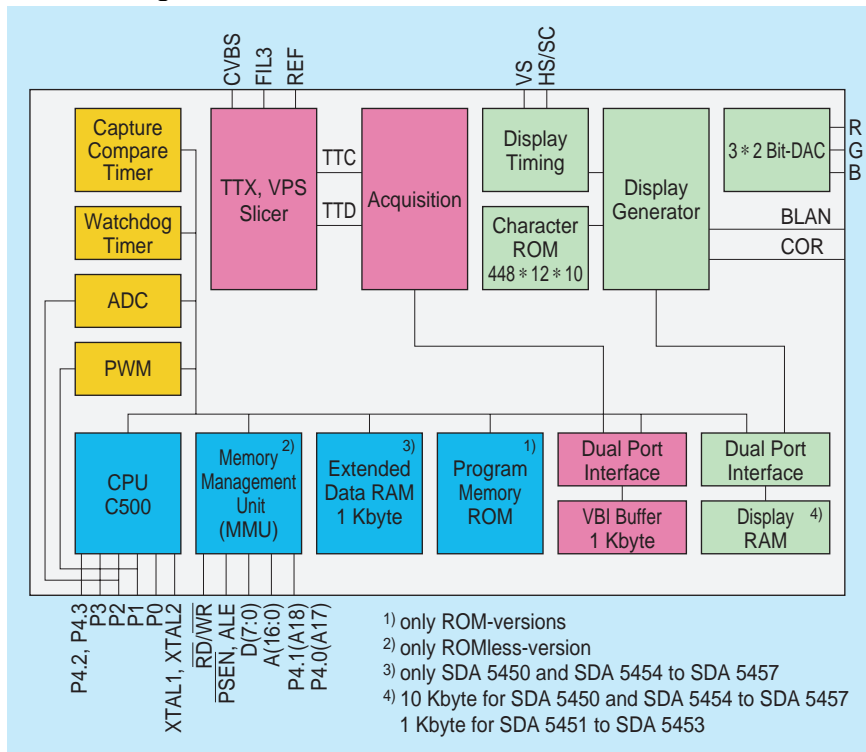
The SDA 545X is available in mass production. Please contact your local Siemens Office for further details.

- A** Wien ☎ (+43) 1-1707-356 11
- AUS** Richmond (Melbourne), Vic. 3121 ☎ (+61) 3-9420 71 11
- B** Brussel/Bruelles ☎ (+32) 2-536 23 48
- BR** São Paulo-SP ☎ (+55) 11-836 23 77/ 26 84
- CDN** Mississauga, Ontario L5T 1P2 ☎ (+1) 905-819 80 00
- CH** Zürich ☎ (+41) 1-495 30 65
- D** Düsseldorf ☎ (+49) 211-399 15 51  
Laatzen (Hannover) ☎ (+49) 511-877 27 06  
Nürnberg ☎ (+49) 911-654 76 22  
Stuttgart ☎ (+49) 711-137 33 14  
München ☎ (+49) 89-9221 40 86
- DK** Ballerup ☎ (+45) 4477-44 77
- E** Tres Cantos-Madrid ☎ (+34) 91-514 80 00
- F** Saint-Denis CEDEX 2 ☎ (+33) 1-4922 31 00
- FIN** Espoo (Helsinki) ☎ (+35) 9-5105 1
- GB** Berkshire RG 12 8FZ ☎ (+44) 1344-39 60 00
- GR** Amaroussio/Athen ☎ (+30) 1-686 41 11
- HK** Hong Kong ☎ (+852) 2832 05 00
- I** Milano ☎ (+39) 02-6676-1
- IND** New Delhi 110 014 ☎ (+91) 11-461 74 47  
Bangalore 560 001 ☎ (+91) 80-227 98 74  
Mumbai ☎ (+91) 22-496 21 99
- IRL** Dublin 4 ☎ (+353) 1-603 23 42
- J** Tokyo 141-0022 ☎ (+81) 3-5449 64 11
- MAL** Penang ☎ (+60) 4-644 99 75
- N** Oslo 5 ☎ (+47) 22-63 30 00
- NL** Den Haag ☎ (+31) 70-333 24 29
- NZ** Auckland ☎ (+64) 9-520 30 33
- P** Amadora ☎ (+35) 1-417 00 11
- PK** Islamabad ☎ (+92) 51-21 22 00
- PL** Warszawa ☎ (+48) 2-670 91 51
- RC** Taipei ☎ (+886) 2-2773 66 06
- ROK** Seoul 135-080 ☎ (+82) 2-527 77 00
- RUS** Moskva ☎ (+7) 095-237-64 76, -69 11
- S** Kista ☎ (+46) 8-703 35 00
- SGP** Singapore 349 253 ☎ (+65) 840 06 10
- TR** Findikli (Istanbul) ☎ (+90) 212-251 09 00
- USA** Cupertino, CA 95014 ☎ (+1) 408-777 45 00  
Cupertino, CA 95014 ☎ (+1) 408-257 79 10  
Iselin, NJ 08830-2770 ☎ (+1) 732-906 43 00
- VRC** Beijing ☎ (+86) 10-6857 90-06, -07  
Shanghai 200003 ☎ (+86) 21-6361 26 18/19
- ZA** Halfway House 1685 ☎ (+27) 11-652-20 00, -27 00

## Technical Highlights

- Fully 8051 compatible core
- I<sup>2</sup>C-Bus Control
- OTP with fully prog. pixel and code memory
- Packages P-SDIP-52, P-MQFP-64 (ROM versions) P-LCC-84, P-MQFP-80 (ROMless versions)

## Block Diagram



How to reach us:

<http://www.siemens.de/semiconductor>

© Siemens AG 1998.

All Rights Reserved.

Please note that any information contained in this publication may be subject to change. Siemens reserves the right to make changes to or to discontinue any product or service identified in this publication without notice.

Please contact our regional offices to receive the latest version of the relevant information to verify, before placing orders, that the information being relied upon is current.

All brand or product names, hardware or software names are trademarks of their respective companies or organizations.

This datasheet has been download from:

[www.datasheetcatalog.com](http://www.datasheetcatalog.com)

Datasheets for electronics components.