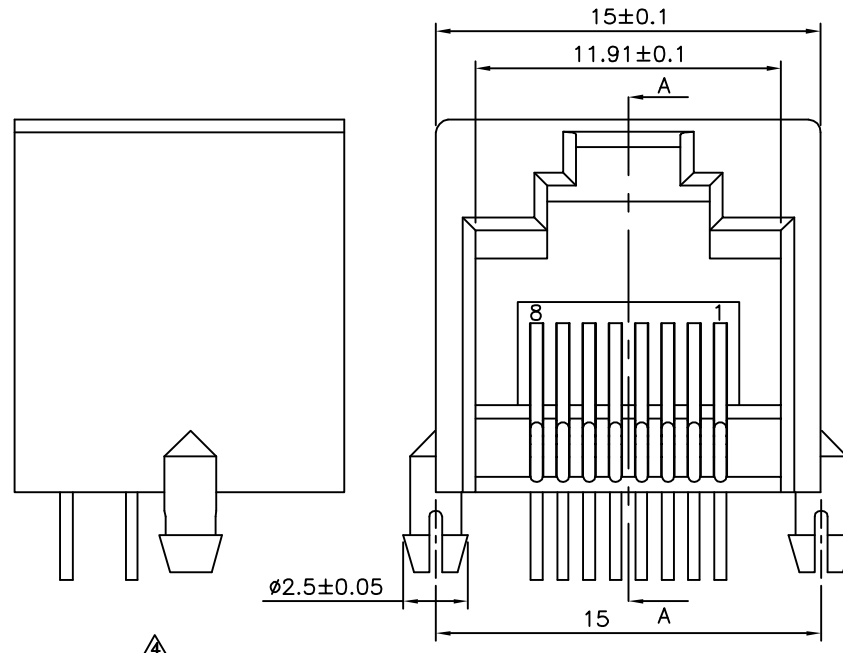
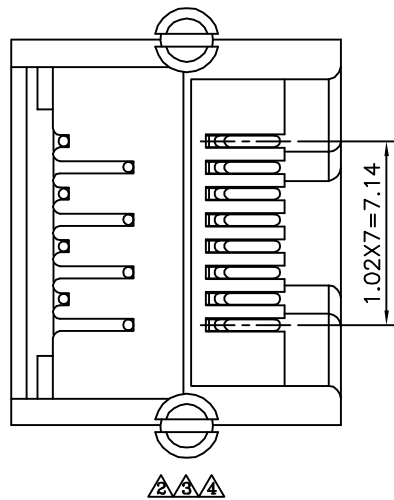


Section A-A

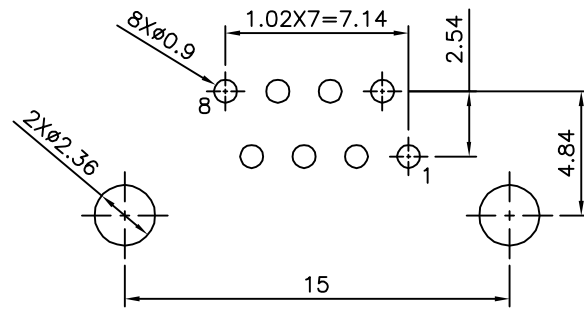


△

△△△



△△△



△ Recommended P.C.B. Layout
PCB Tolerance±0.05

△ SPECIFICATION

- Current Rating:1.5 Amp
- Voltage Rating:125V AC RMS
- △ Dielectric Strength:1000V AC Or 1500V DC RMS
At 0.5mA 50Hz/60Hz For 1 Minute
- Contact Resistance:20 Milliohms Max.
- Insulation Resistance:1000 Megaohms Min.
At 500V DC
- Storage Temperature:-40°C~+85°C
Relative Humidity:<80%
- Operation Temperature:-40°C~+85°C
- Housing&Insert:PBT(UL94V-0)
- Contact:Phosphor Bronze φ0.46mm
- Operating Life:750 Cycles Min.
- △ Mating/Unmating Force:30N/3.06Kg Max.
- Retention Strength:50N Min. For 60s±5s
- Mates With Modular Plug Conforming To FCC Part 68,Subpart F.
- RoHS Compliant

△ MJ M 0808 X X XX - H
(1) (2) (3) (4) (5) (6) (7)

- (1) MJ:Modular Jack
- (2) M:Mini Low Profile 14.5mm
- (3) 0808:8P8C
- (4) X:Insulator Color
G:Gray Insulator
K:Black Insulator
Y:Yellow Insulator
- (5) X:Without Panel Stop
- △ (6) XX:Contact Finish
01:Gold Flash Over All,Over Nickel
06:Gold Plated 6u" Over All,Over Nickel
15:Gold Plated 15u" Over All,Over Nickel
30:Gold Plated 30u" Over All,Over Nickel
- (7) H:RoHS Compliant

CATEGORY		APPROVED BY MEI		UNLESS OTHERWISE SPECIFIED TOLERANCES ARE 00~15 ±0.15 15~30 ±0.20 30~50 ±0.25 50~ ±0.30 ANG. ±1°	△ A4	Modify Data	HZF	06/27/2013
PART No. △ MJM0808XXXX-H		CHECKED BY HZF			△ A3	Modify Data	HZF	06/18/2013
DRAWING No. MJM0808XXXX-H		DRAWING BY GAO			△ A2	Modify Data	HZF	11/02/2011
SCALE	NONE	REV.	A4		UNIT mm	△ A1	Modify P/N: MJM0808KXXX-H--> MJM0808XXXX-H, Add Gray	HZF
					△ A0	NEW RELEASE	HZF	01/29/2010
					NO. REV.	REVISIONS	CHK	DATE