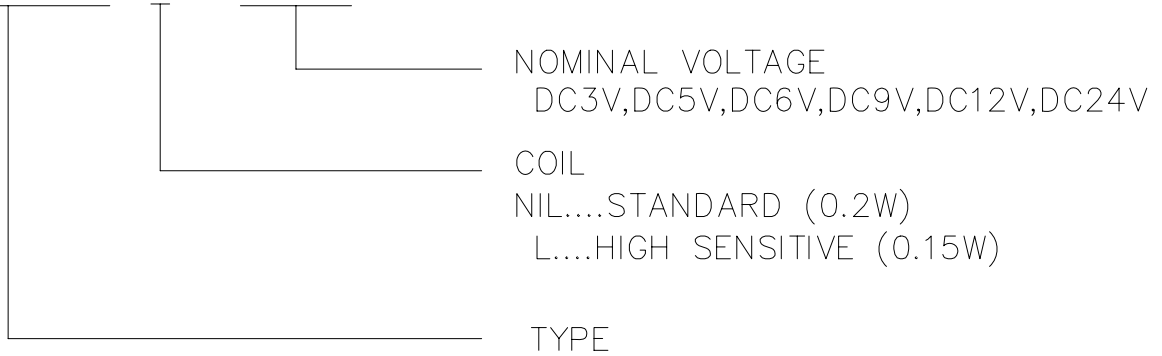




## ORDERING CODE 订购代码

HLS6-23F - L- DC12V



### CONTACT DATA 触点参数:

Contact Form	触点形式	1C
Contact Material	触点材料	Au+Ag Alloy
Contact Ratings	触点负载	2A:120VAC/24VDC
Max Switching Voltage	最大转换电压	120VAC/60VDC
Max Switching Current	最大转换电流	2A
Max Switching Power	最大转换功率	240VA/48W
Initial Contact Resistance	接触电阻 (首次)	50mΩ Max at 6VDC 1A
Life Expectancy Electrical	电气寿命	100,000 Operations(rated load)
Life Expectancy Mechanical	机械寿命	10,000,000 Operations(no load)

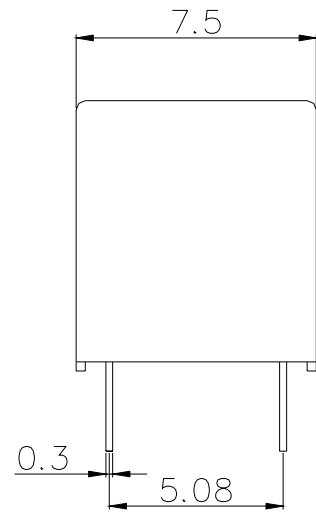
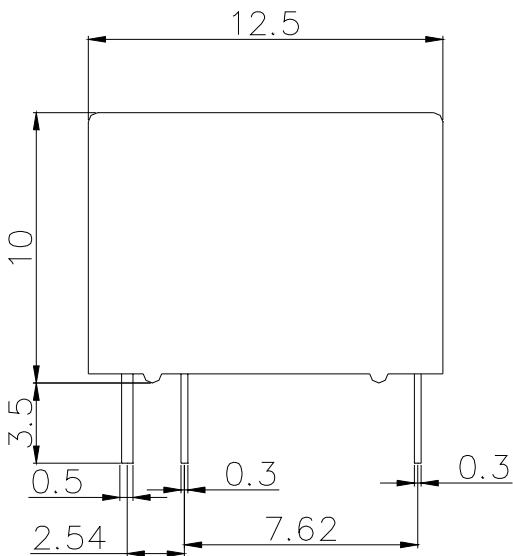
### GENERAL DATA 一般参数:

Insulation Resistance	绝缘阻值	100MΩ Min at 500VDC
Dielectric Strength Between Open Contacts	触点间耐压	500VAC 50-60HZ (1 minute)
Dielectric Strength Between Contacts And Coil	触点与线圈间耐压	1000VAC 50-60HZ (1 minute)
Operate Time	吸合时间	5ms max
Release Time	释放时间	5ms max
Ambient Temperature	环境温度	-30°C to +70°C
Shock Resistance 冲击	Malfunction	动作极限
	Destruction	破坏极限
Vibration Resistance	振动	10-55Hz, 1.5mm double amplitude
Ambient humidity	湿度	40-85% RH
Weight	重量	Approx 1.8g
Safety Standard	安全标准	

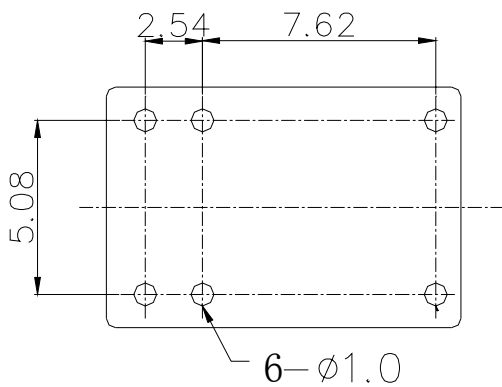
**COIL DATA 线圈参数: (@20°C)**

Rated Voltage 额定电压 (VDC)	Coil Resistance $\Omega$ ( $\pm 10\%$ ) 线圈阻值		Max Operate Voltage 最大吸合电压 (VDC)	Min Release Voltage 最小释放电压 (VDC)	Max Applied Voltage 最大允许电压 (VDC)
	0.15W	0.2W			
3	60	45	2.4	0.15	3.9
5	167	125	4	0.25	6.5
6	240	180	4.8	0.3	7.8
9	540	405	7.2	0.45	11.7
12	960	720	9.6	0.6	15.6
24	3840	2880	19.2	1.2	31.2

Outline Dimension 外形尺寸 (mm)

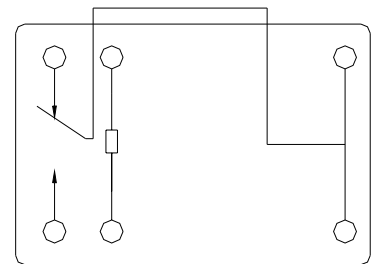


PC Board layout 安装图



(Bottom View)底视

Wiring Diagram 接线图



(Bottom View)底视