

FTT 500 17142307

Customer: ALGE DISTRIBUTOR

No. ECR2004-5951

Date: Nov. 25, 2004

Attention:

Your ref. No.: 22 8082

Your Part No.: STEC11B01

SPECIFICATIONS

ALPS;

MODEL EC11B15242

Spec. No.:

Sample No.: F 1 9 7 9 7 0 8 M

RECEIPT STATUS

RECEIVED

By Date _____

Signature _____

Name _____

Title _____



Head Office
1-7, Yukigaya-otsuka-cho, Ota-ku, Tokyo, 145-8501 Japan
Phone, +81(3)3726-1211

DSG'D K. Abe

APP'D S. Sato
ENG. DEPT. DIVISION

Sales

S P E C I F I C A T I O N S

1. THIS SPECIFICATIONS APPLY TO EC11B2020201 ROTARY ENCODERS.

2. CONTENTS OF THIS SPECIFICATIONS.
P1979708M

3. MARKING
- MARKING ON ALL UNITS
BIA DATE CODE

4. REMARKS
- FURNISH PACKAGE
NUT:1 WASHER:1

• CAUTION

Regardless of the suggested applications of these products being introduced in the specifications, when using them for equipment and devices requiring a high degree of safety, resp- active manufacturers will please preserve safety of the planned equipment and devices by providing necessary protective circuits and redundancy circuits and reconfirm if safety is being duly preserved.

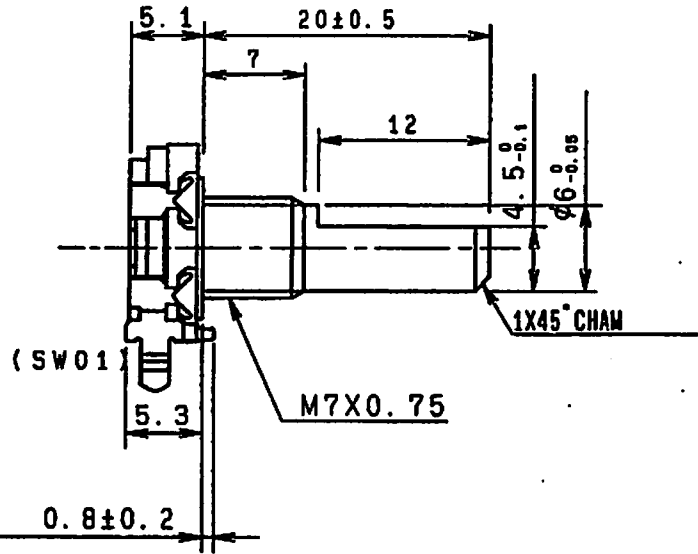
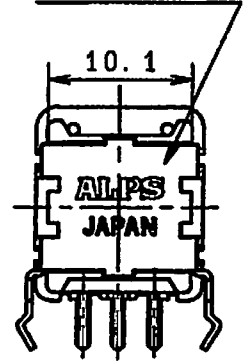
Products being introduced in the specifications have been designed and manufactured for applications to ordinary electronic equipment and devices such as the AV equipment, electric home appliances, office machines and communications equipment. Consequently, when employing these products for applications requiring a high degree of safety and reliability such as the medical equipment, aviation and aircraft equipment, space equipment and burglar alarm equipment, the manufacturer will please thoroughly study the necessities of these products for the planned applications.

Although we are exerting our best efforts to maintain the quality of these products, we cannot guarantee that they will never cause short circuiting and open circuitry. Therefore, when designing an equipment or device with which the priority is given to the safety, you will please carefully study the influences to the whole equipment of a single function failure of potentiometers and Encoders in advance to make out a fail-safe design providing.

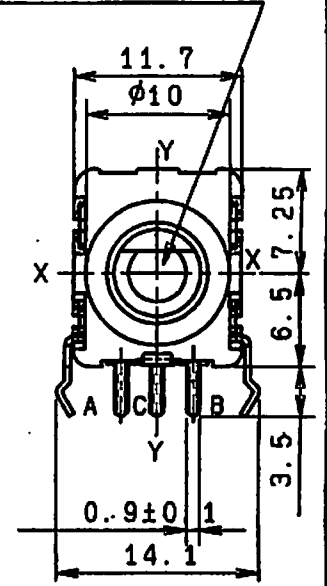
SYMB	DATE	APPD	CHKD	DSGD	APPD	CHKD	DSGD	S. MIZOBUTI	'95-12-08	UNIT	III	DOCUMENT NO.	LA21102
								M. ENDOU	'95-12-08	UNIT	III	DOCUMENT NO.	LA21102
								H. MIURA	'95-12-08	UNIT	III	DOCUMENT NO.	LA21102
								D.SGD. 037412		SCALE	2:1	TITLE	11号10番 部品図-9-
PART NO.	MATERIAL NAME / CODE												
NAME	FINISH												
	20152. 202949												

注記 軸受材質: 亜鉛合金ダイキャスト, 軸材質: アルミニウム
 NOTES BUSHING MATERIAL: ZINC ALLOY DIE CASTING
 SHAFT MATERIAL: ALUMINIUM

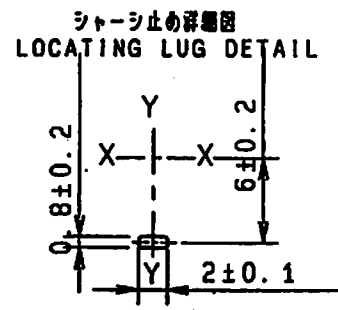
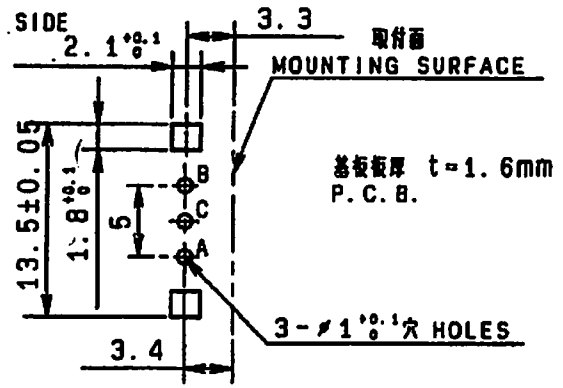
商標の向きは任意とする。
 THE DIRECTION
 OF TRADE MARK
 IS OPTIONAL.



SHAFT FLAT IS OPTIONAL ANGLE
 スリ抜き角度は任意とする。



取付穴寸法図 (許容差±0.1)
 * 挿入側より見た図
 P.V.B. MOUNTING DETAIL
 (TOLERANCE±0.1)
 VIEWED FROM MOUNTING SIDE



指定なき部分の許容差 TOLERANCES UNLESS OTHERWISE SPEC	
$L \leq 10$	±0.3
$10 < L \leq 100$	±0.5
$100 < L$	±0.8
角度 ANGULAR DIMENSION	±5°