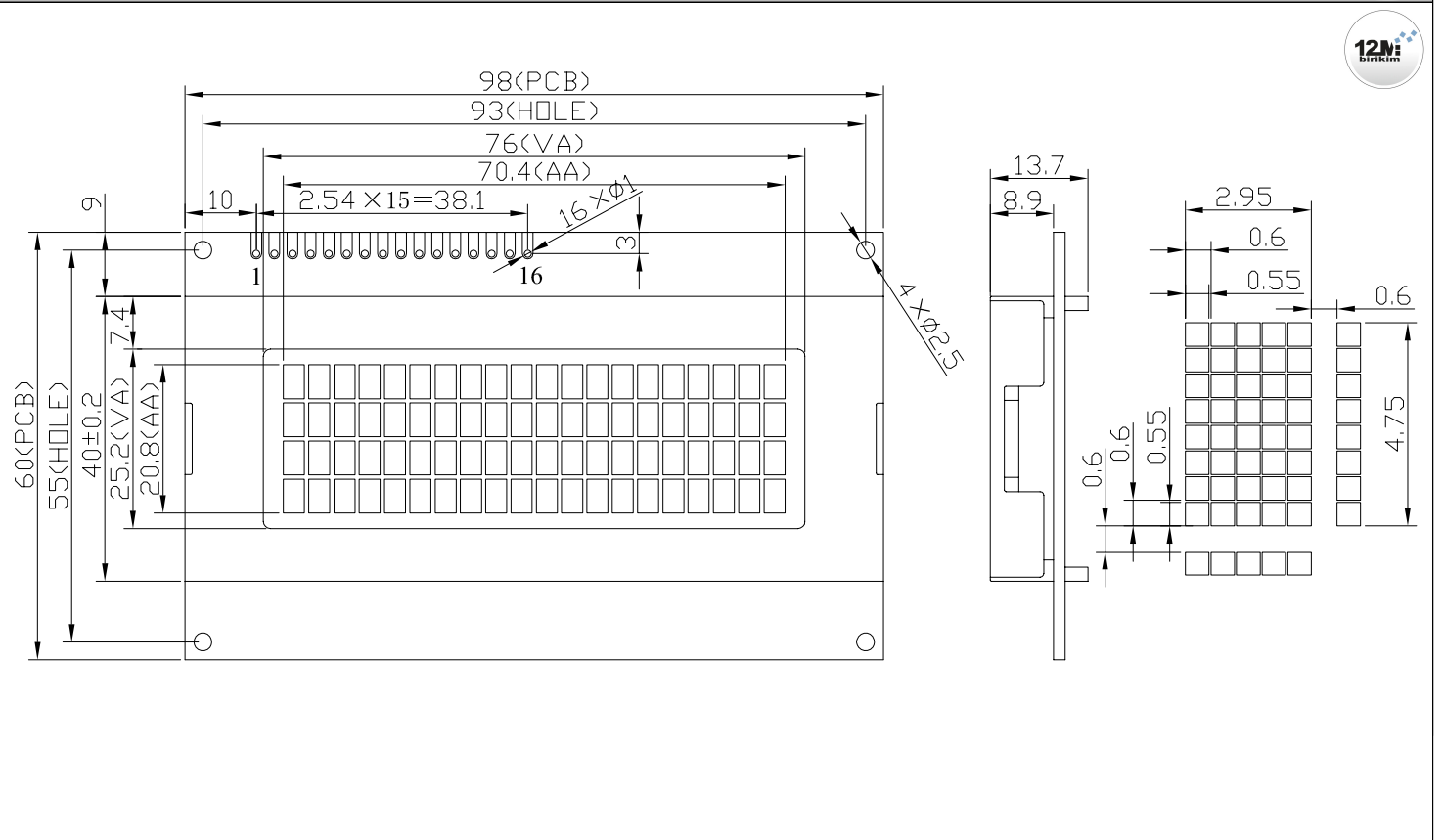


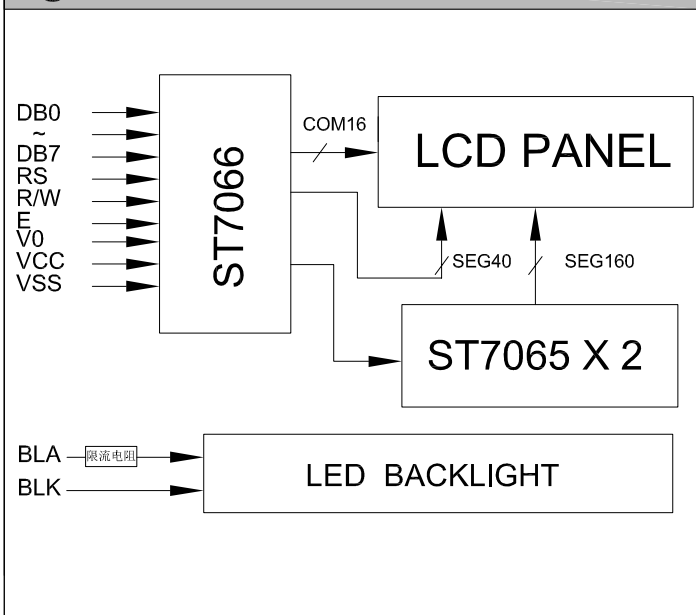
## FİZİKSEL ÖLÇÜLER



## ② MECHANICAL DATA

ITEM	SPECIFICATION	UNIT
Module Size With B/L ( W X H X T )	98X 60 X 13.7	mm
Viewing Area ( W X H )	76X 25.2	mm
Number of Dots ( W X H )	20X 4	dots
Dot Pitch ( W X H )	0.6 X 0.6	mm
Dot Size ( W X H )	0.55 X 0.55	mm
Weight	—	g

## ④ BLOCK DIAGRAM



## ③ PIN CONFIGURATION

ITEM	SYMBOL	DESCRIPTION
1	VSS	Power ground
2	VCC	Power positive .
3	V0	Operating voltage for LCD Driver(variable)
4	RS	H:Data L:Instruction Code
5	R/W	Read or Write.
6	E	Enable trigger.
7	DB0	Data bus [0~7]. There state I/O common terminal.
14	DB7	
15	BLA	Backlight Anode(+5V)
16	BLK	Backlight Cathode (0V)

## ⑤ ABSOLUTE MAXIMUM RATINGS (25°C)

PARAMETER	SYMBOL	MIN.	MAX.	UNIT
SUPPLY VOLTAGE LOGIC	VCC	0	5.25	V
SUPPLY VOLTAGE DRIVER	VSS-V0	0	7	V
INPUT VOLTAGE	VIN	0	VCC	V