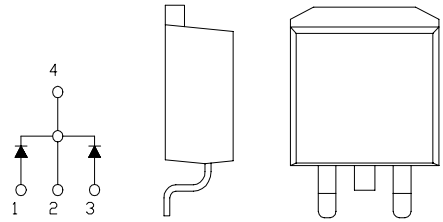


FRD Type : C10T60F

OUTLINE DRAWING

FEATURES

- * **SQUARE-PAK** TO263AB Case (SMD)
- Packaged in 24mm Tape and Reel
- * Dual Diodes – Cathode Common
- * Ultra – Fast Recovery
- * Low Forward Voltage Drop
- * High Surge Capability
- * 200 Volts thru 600 Volts Types Available



Maximum Ratings

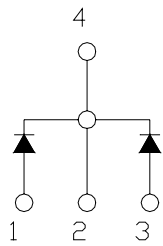
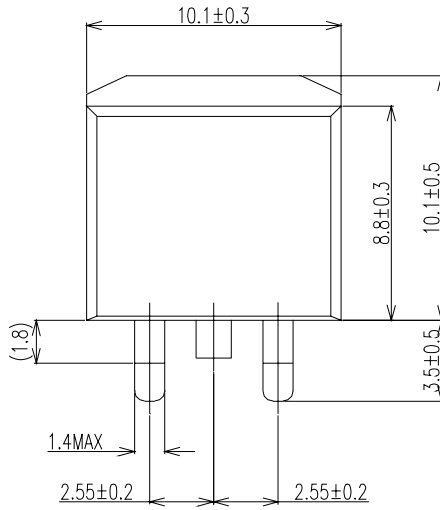
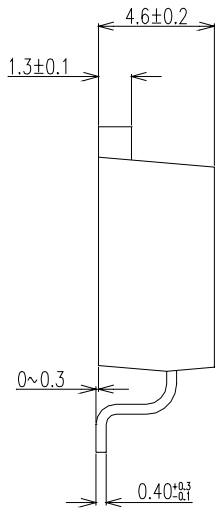
Approx Net Weight:1.4g

| Rating | Symbol | C10T60F | | Unit |
|--------------------------------------|--------------|---------------|---|------------------|
| Repetitive Peak Reverse Voltage | V_{RRM} | 600 | | V |
| Average Rectified Output Current | I_O | 10 | $T_c=99^\circ\text{C}$ 50 Hz, Full Sine Wave Resistive Load | A |
| RMS Forward Current | $I_{F(RMS)}$ | 11.1 | | A |
| Surge Forward Current | I_{FSM} | 80 | 50 Hz Full Sine Wave, 1 cycle Non-repetitive | A |
| Operating Junction Temperature Range | T_{jw} | - 40 to + 150 | | $^\circ\text{C}$ |
| Storage Temperature Range | T_{stg} | - 40 to + 150 | | $^\circ\text{C}$ |

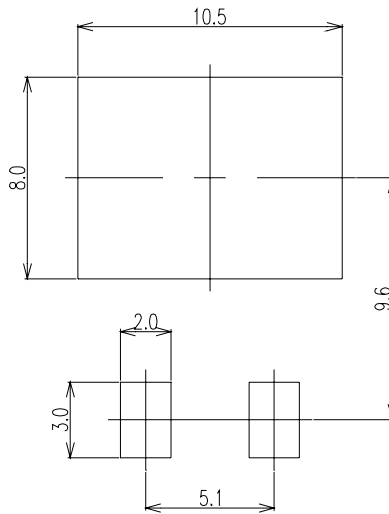
Electrical • Thermal Characteristics

| Characteristics | Symbol | Conditions | Min. | Typ. | Max. | Unit |
|-----------------------|---------------|--|------|------|------|---------------------------|
| Peak Reverse Current | I_{RM} | $T_j=25^\circ\text{C}, V_{RM}=V_{RRM}$ per Arm | - | - | 30 | μA |
| Peak Forward Voltage | V_{FM} | $T_j=25^\circ\text{C}, I_{FM}=5\text{A}$ per Arm | - | - | 1.7 | V |
| Reverse Recovery Time | t_{rr} | $I_{FM}=5\text{A}$, $-di/dt=50\text{A}/\mu\text{s}$, $T_a=25^\circ\text{C}$ | - | - | 40 | ns |
| Thermal Resistance | $R_{th(j-c)}$ | Junction to Case | - | - | 3 | $^\circ\text{C}/\text{W}$ |

C10T60F OUTLINE DRAWING (Dimensions in mm)



SOLDERING PAD



This datasheet has been downloaded from:

www.DatasheetCatalog.com

Datasheets for electronic components.