

SPECIFICATIONS

DDR Connector

Mechanical

Contact Retention Force: 0.75Lbs (0.34kgf) min. per Contact
Durability: 25 Cycles
Dram Board Insertion Force: 3 oz max. per Contact

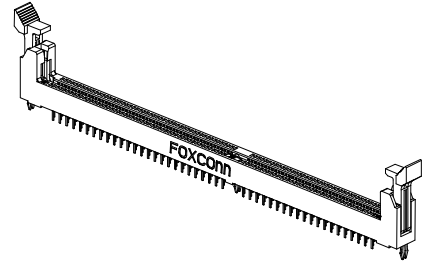
Electrical

Voltage Raging: 250V AC
Current Rating: 1.0A max., 30 max., in Temperature Rise
Insulation Resistance: 1000MW min. initial
Dielectric Withstanding Voltage: 500V AC at Sea Level
Low Level Contact Resistance: 30mW max. initial

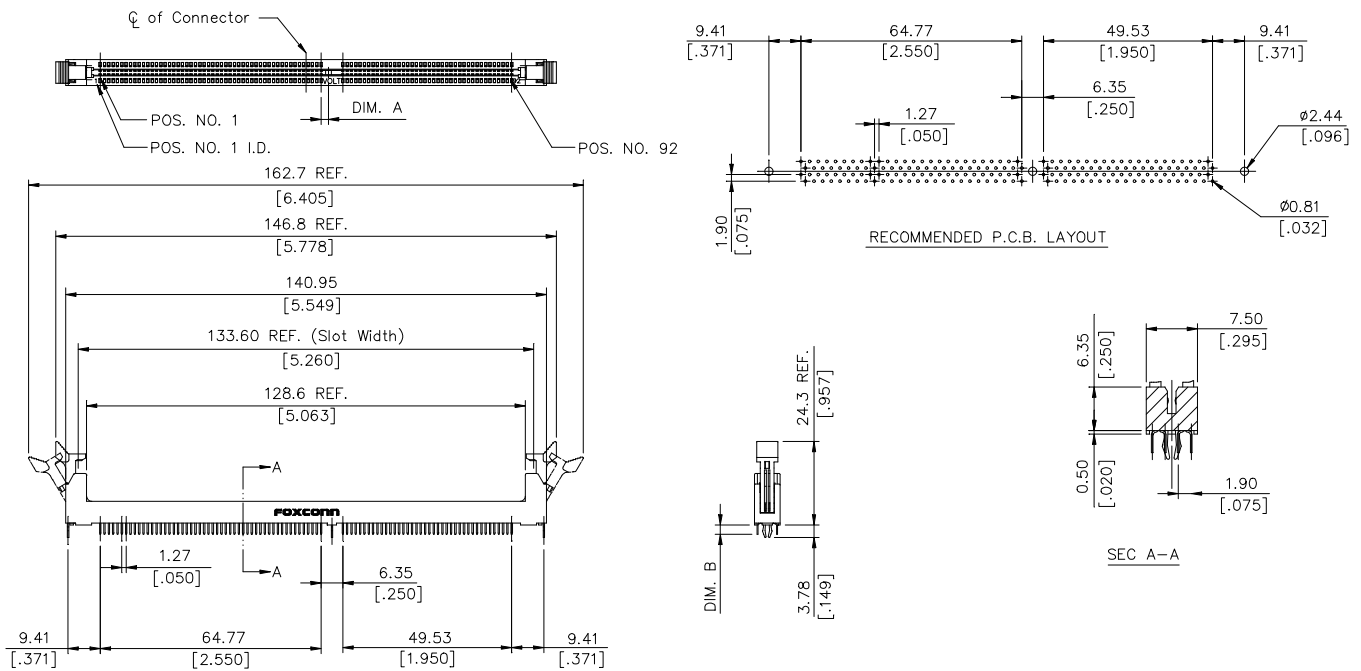
Physical

Housing: Thermoplastic, UL 94V-0 rated in Black Color
Contact: Copper alloy
Ejector: Thermoplastic, UL 94V-0 rated in Black Color
Metal Hold Down: Copper alloy
Operating Temperature: -55 to +105

AT092 Series
Vertical Type, T/H Type
1.27mm [.050"] Pitch
184 Pos.

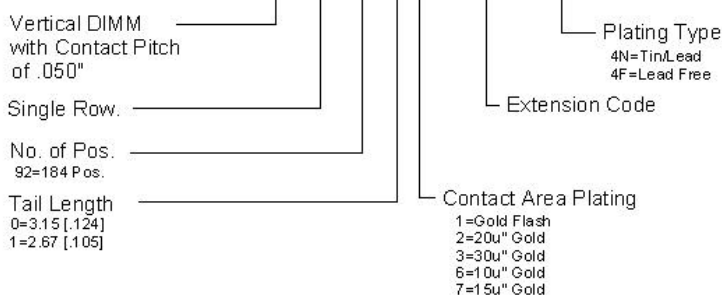


DRAWING



ORDERING INFORMATION

PRODUCT NO.: AT092 - D5D - ****



| | | | | |
|----------------|------|-----------------|-----------------|----------------|
| AT0920*-D5D-4F | 184 | 2.5V | 2.175 [.086] | 3.15 [.124] |
| AT0921*-D5D-4F | | 2.5V | 2.175 [.086] | 2.67 [.105] |
| P/N | POS. | VOLTAGE MARKING | DIM. A | DIM. B |