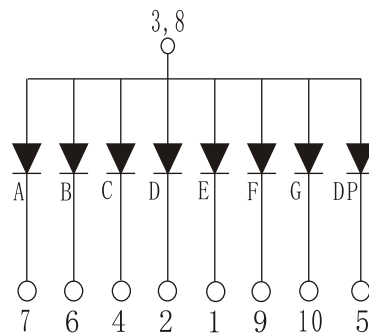
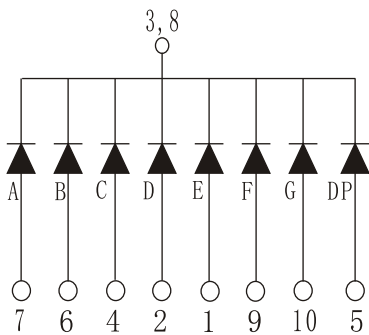


Part Number	Emitting Color	Wave Length λ_D (nm)	(at 20 mA)		Face
			V_F (v) Typ. Max.	I_V (mcd) Typ.	
CLS-5161 Δ S	Red	640	1.8-2.3	11	Black
CLS-5161 Δ E	Orange	610	2.0-2.4	10	Black
CLS-5161 Δ G	Green	565	2.2-2.6	11	Black
CLS-5161 Δ UB	Blue	465	3.0-3.6	18	Black

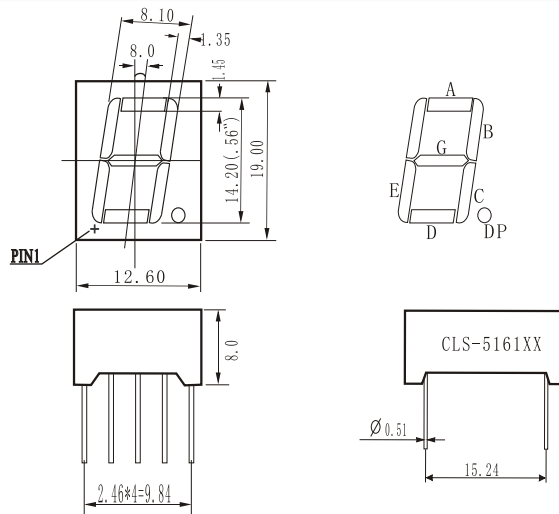
CLS-5161A (Com. Cathode)

CLS-5161B (Com. Anode)



Package Outlines

(unit:mm)



- Remark : 1. “ Δ ” represents Internal Circuit Feature: A、C、E...Common Cathode, B、D、F...Common Anode.
 2. “ \square ” represents LED Emitted Color.
 3. All dimensions are in millimeters, tolerance is 0.25mm unless otherwise noted.
 4. Above specification is measured by CHANGLI's test instrument and may be changed without notice.
 5. Supplier will reserve authority on material change for above specification.